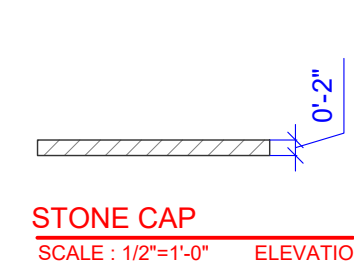
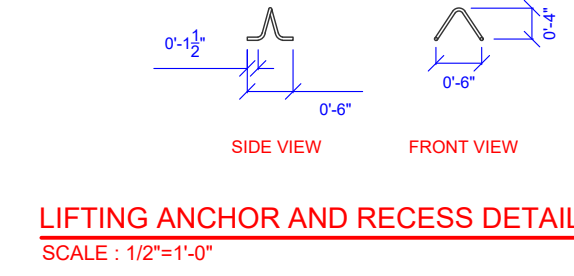


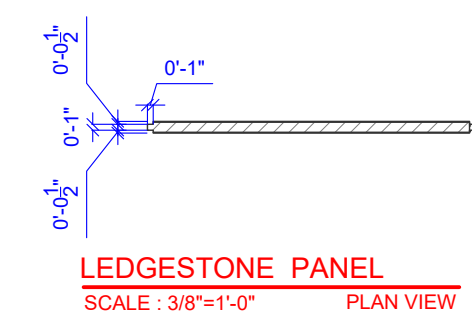
PANEL CAP
SCALE: 1/2"=1'-0" SECTION



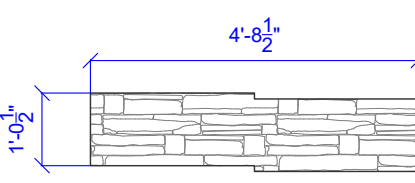
STONE CAP
SCALE: 1/2"=1'-0" ELEVATION



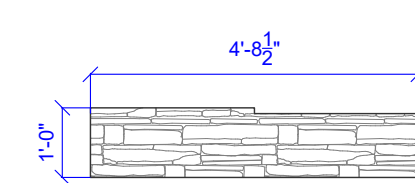
LIFTING ANCHOR AND RECESS DETAIL
SCALE: 1/2"=1'-0"



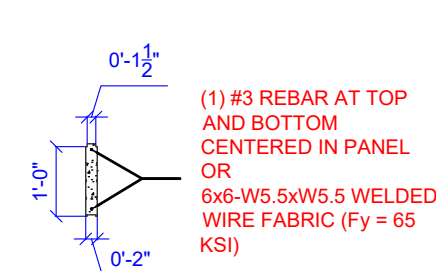
LEDGESTONE PANEL
SCALE: 3/8"=1'-0" PLAN VIEW



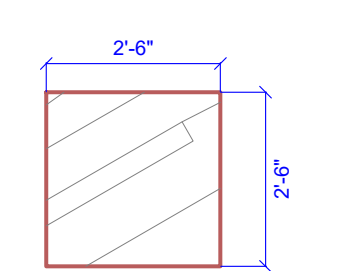
LEDGESTONE PANEL
SCALE: 3/8"=1'-0" ELEVATION



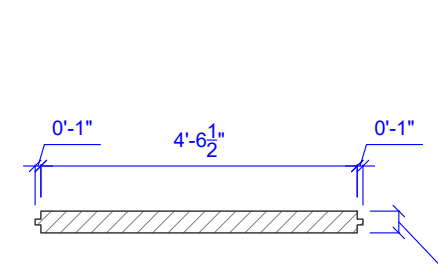
LEDGESTONE TOP/BOTTOM PANEL
SCALE: 3/8"=1'-0" ELEVATION



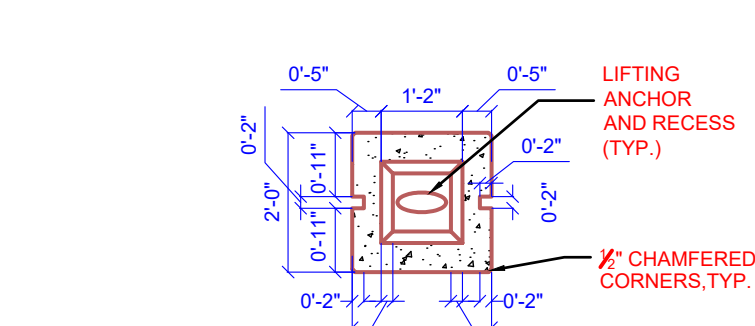
LEDGESTONE PANEL
SCALE: 3/8"=1'-0" SECTION



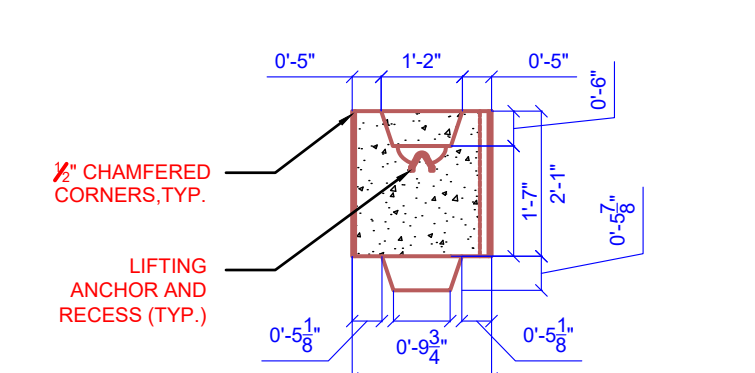
STONE CAP
SCALE: 3/8"=1'-0" PLAN VIEW



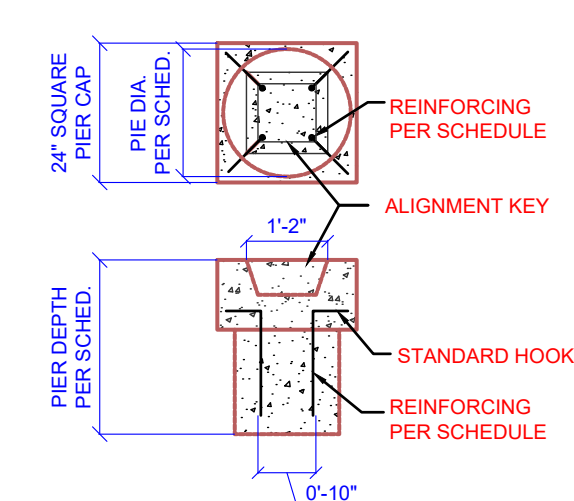
LEDGESTONE PANEL CAP
SCALE: 3/8"=1'-0" PLAN VIEW



LINE COLUMN
SCALE: 1/2"=1'-0" PLAN

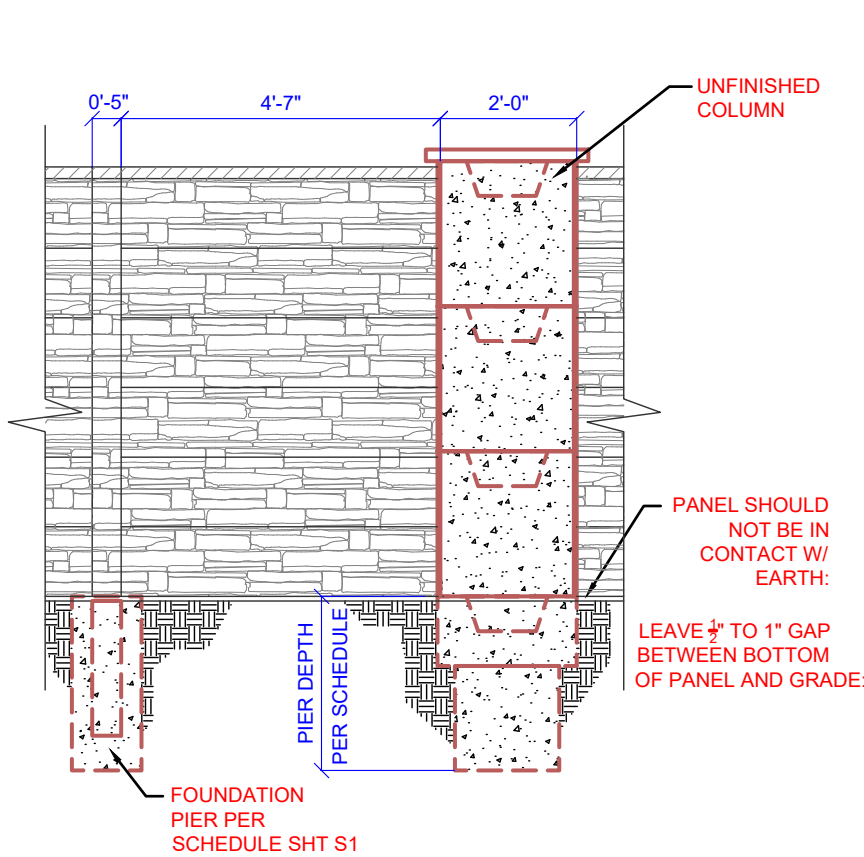


LINE COLUMN
SCALE: 3/8"=1'-0" ELEVATION

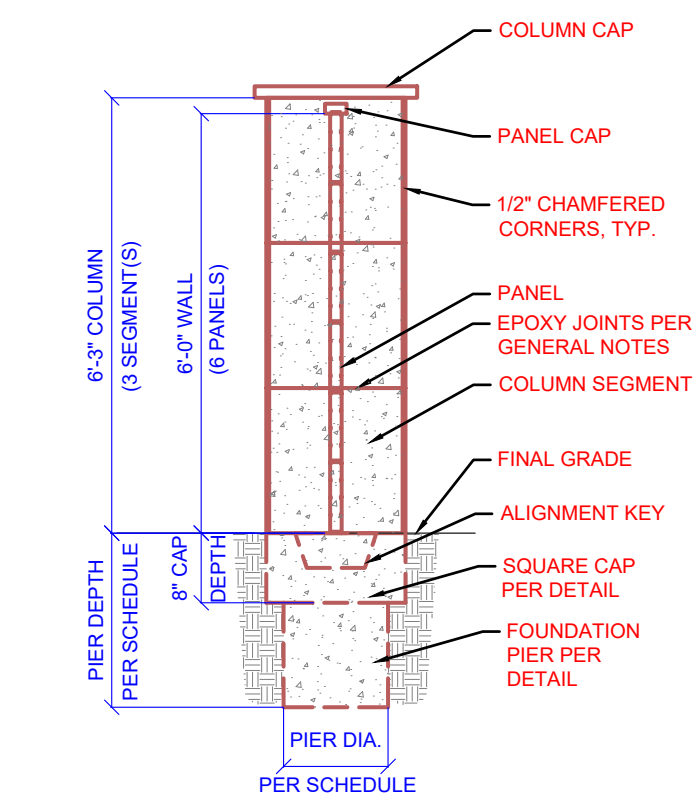


FOUNDATION PIER DETAIL
SCALE: 3/8"=1'-0" ELEVATION

USE MEADOW BURKE RAPID-LIFT SYSTEM ITEM NUMBER 79URM (RECESS MEMBER) AND 79U40 (4" UTILITY ANCHOR) OR USE #3 BENT REINFORCING BAR (DETAILED BELOW) OR EQUAL.



UNFINISHED COLUMN W/ LEDGESTONE FENCE
SCALE: 3/8"=1'-0" ELEVATION



UNFINISHED COLUMN W/ LEDGESTONE FENCE
SCALE: 3/8"=1'-0" SECTION

NOTE: SMALL DIAMETER PVC PIPE IS COMMONLY CAST IN PIERS TO LEVEL PANELS. IT IS ACCEPTABLE TO BEAR THE CONCRETE PANELS ON THE PVC LEVELERS. PVC LEVELERS MUST BE SCHEDULE 40 W/ A MINIMUM NOMINAL DIAMETER OF 1". THE PVC LEVELERS MAY EXTEND 1/2" MAX ABOVE THE TOP OF THE CONCRETE PIER.
NOTE: FINAL FINISH TO UNFINISHED COLUMNS TO BE SUPPLIED BY CONTRACTOR.

DATE	DESCRIPTION	REV
01-07-2022	ISSUE FOR APPROVAL	A



SHEET NAME :
6FT-LEDGESTONE-PRIVACY- COLUMN

DATE :	01-07-2022	SHEET NUMBER:
SCALE :	AS PER PLAN	
SHEET SIZE :	36x24	