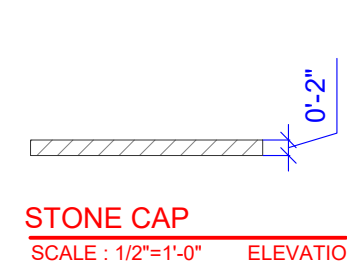
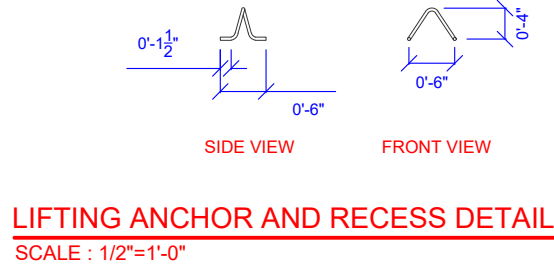


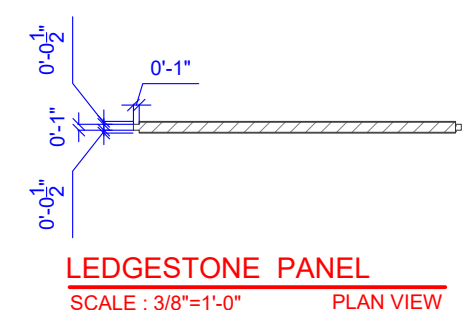
**PANEL CAP**  
SCALE: 1/2"=1'-0" SECTION



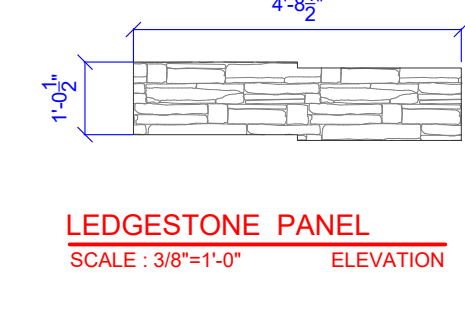
**STONE CAP**  
SCALE: 1/2"=1'-0" ELEVATION



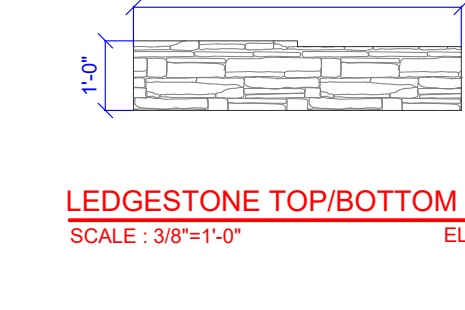
**LIFTING ANCHOR AND RECESS DETAIL**  
SCALE: 1/2"=1'-0"



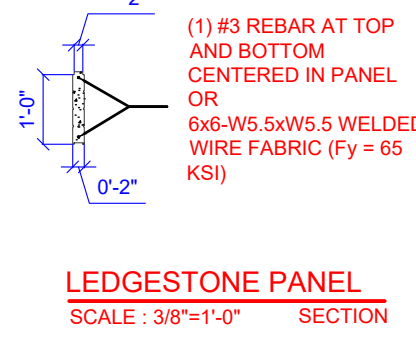
**LEDGESTONE PANEL**  
SCALE: 3/8"=1'-0" PLAN VIEW



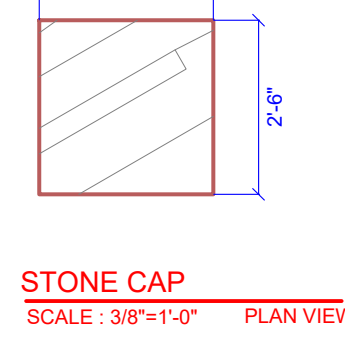
**LEDGESTONE PANEL**  
SCALE: 3/8"=1'-0" ELEVATION



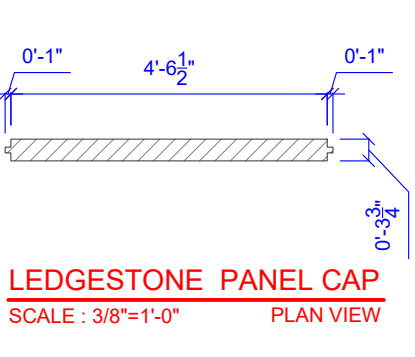
**LEDGESTONE TOP/BOTTOM PANEL**  
SCALE: 3/8"=1'-0" ELEVATION



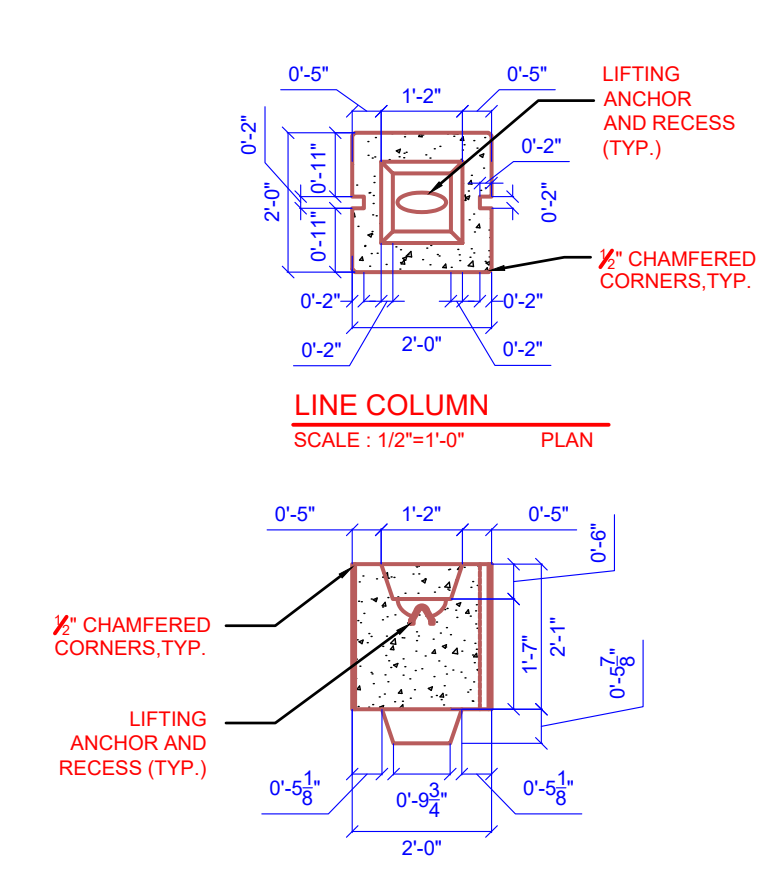
**LEDGESTONE PANEL**  
SCALE: 3/8"=1'-0" SECTION



**STONE CAP**  
SCALE: 3/8"=1'-0" PLAN VIEW

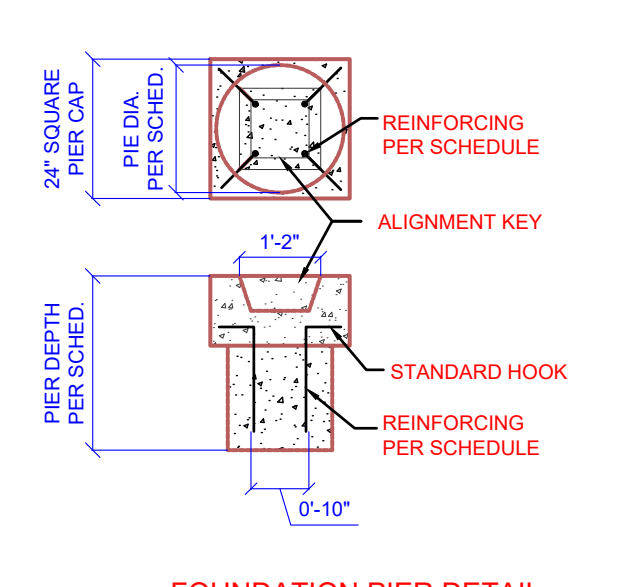


**LEDGESTONE PANEL CAP**  
SCALE: 3/8"=1'-0" PLAN VIEW



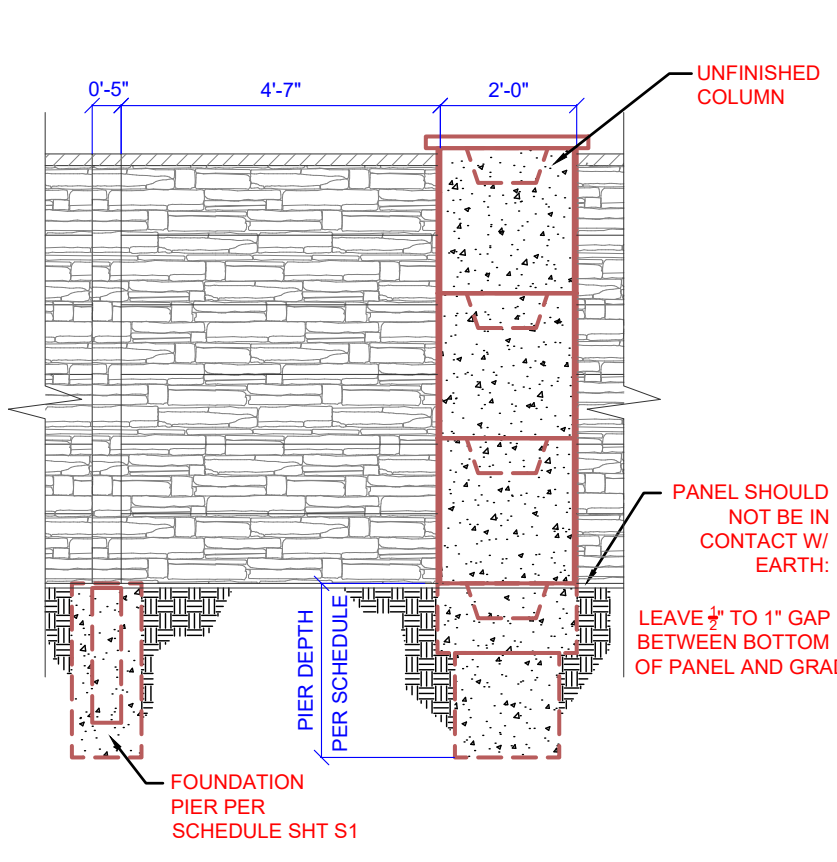
**LINE COLUMN**  
SCALE: 1/2"=1'-0" PLAN

**LINE COLUMN**  
SCALE: 3/8"=1'-0" ELEVATION

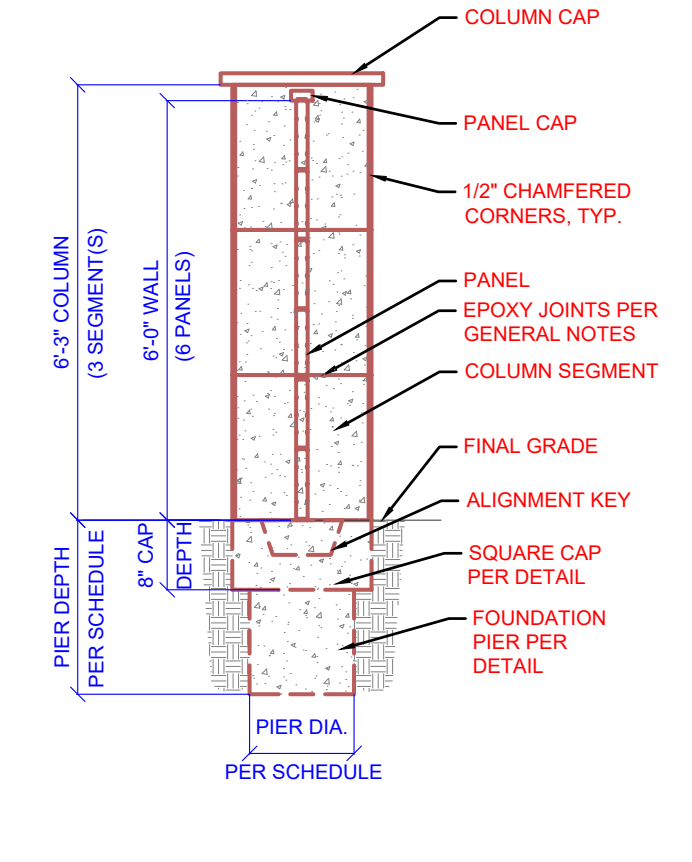


**FOUNDATION PIER DETAIL**  
SCALE: 3/8"=1'-0"

USE MEADOW BURKE RAPID-LIFT SYSTEM ITEM NUMBER 79URM (RECESS MEMBER) AND 79U40 (4" UTILITY ANCHOR) OR USE #3 BENT REINFORCING BAR (DETAILED BELOW) OR EQUAL.



**UNFINISHED COLUMN W/ LEDGESTONE FENCE**  
SCALE: 3/8"=1'-0" ELEVATION



**UNFINISHED COLUMN W/ LEDGESTONE FENCE**  
SCALE: 3/8"=1'-0" SECTION

NOTE: SMALL DIAMETER PVC PIPE IS COMMONLY CAST IN PIERS TO LEVEL PANELS. IT IS ACCEPTABLE TO BEAR THE CONCRETE PANELS ON THE PVC LEVELERS. PVC LEVELERS MUST BE SCHEDULE 40 W/ A MINIMUM NOMINAL DIAMETER OF 1". THE PVC LEVELERS MAY EXTEND 1/2" MAX ABOVE THE TOP OF THE CONCRETE PIER.  
NOTE: FINAL FINISH TO UNFINISHED COLUMNS TO BE SUPPLIED BY CONTRACTOR.

DATE	DESCRIPTION	REV
01-10-2022	ISSUE FOR APPROVAL	A



SHEET NAME :  
**6FT LEDGESTONE PRIVACY COLUMN SYSTEM**

DATE :	01-10-2022	SHEET NUMBER:
SCALE :	AS PER PLAN	
SHEET SIZE :	36x24	