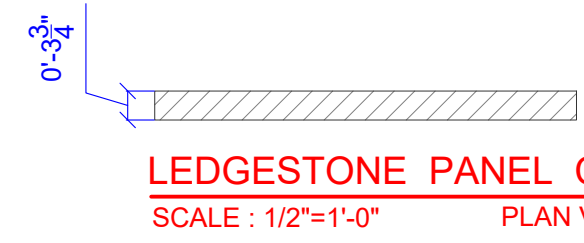
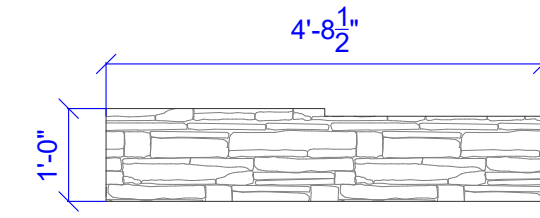


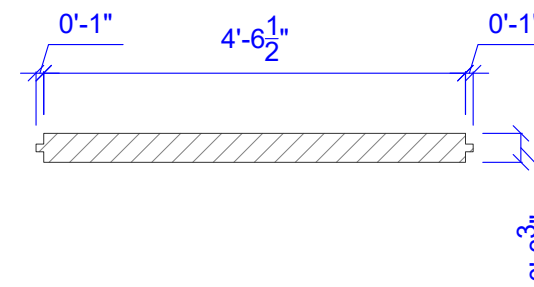
LEDGESTONE PANEL CAP
SCALE : 1/2"=1'-0" ELEVATION



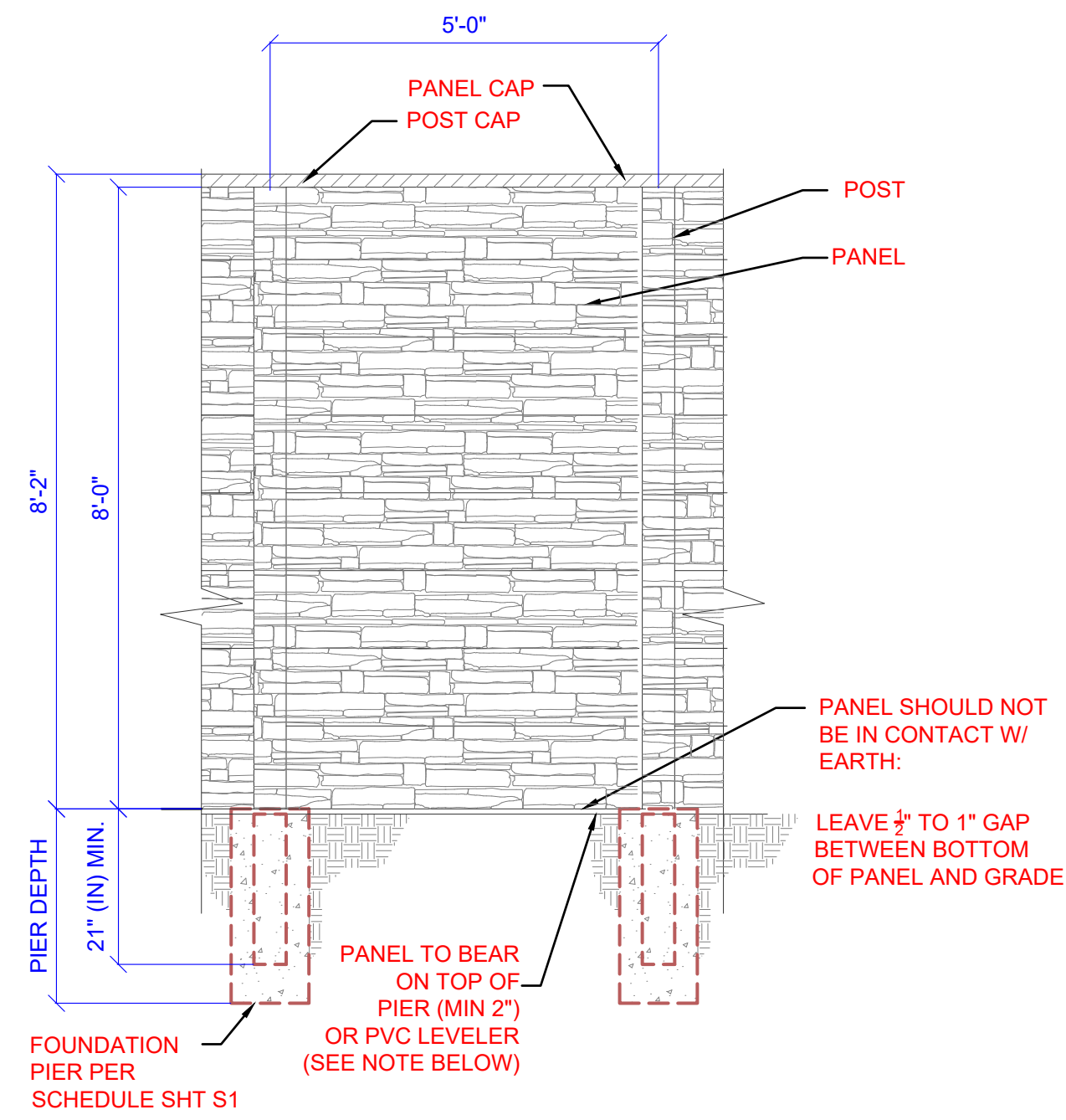
LEDGESTONE PANEL CAP
SCALE : 1/2"=1'-0" PLAN VIEW



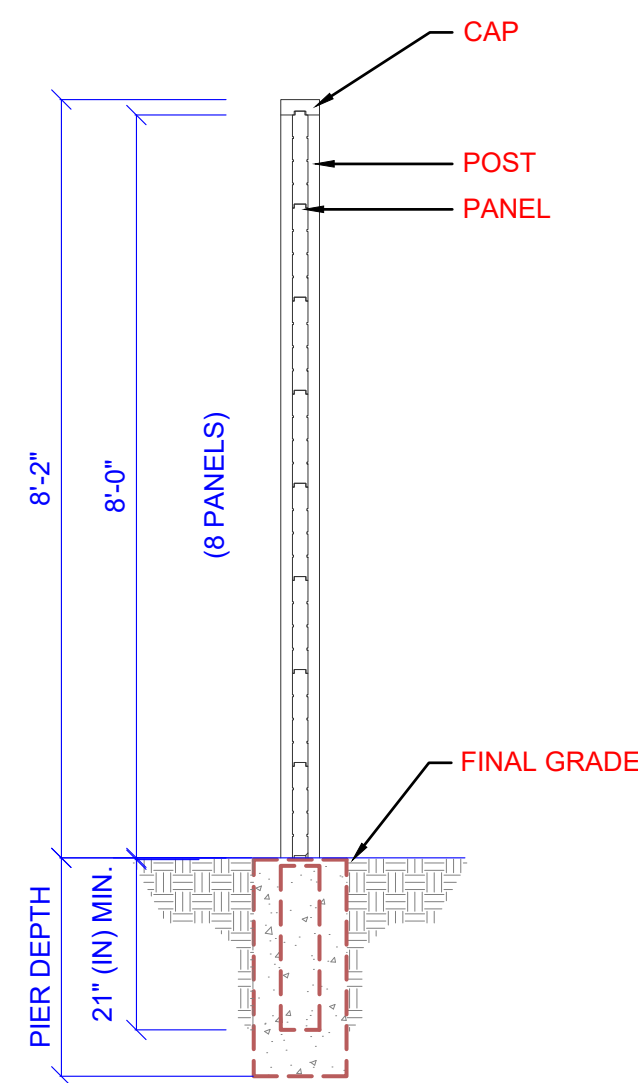
LEDGESTONE TOP/BOTTOM PANEL
SCALE : 1/2"=1'-0" ELEVATION



LEDGESTONE PANEL
SCALE : 1/2"=1'-0" PLAN VIEW

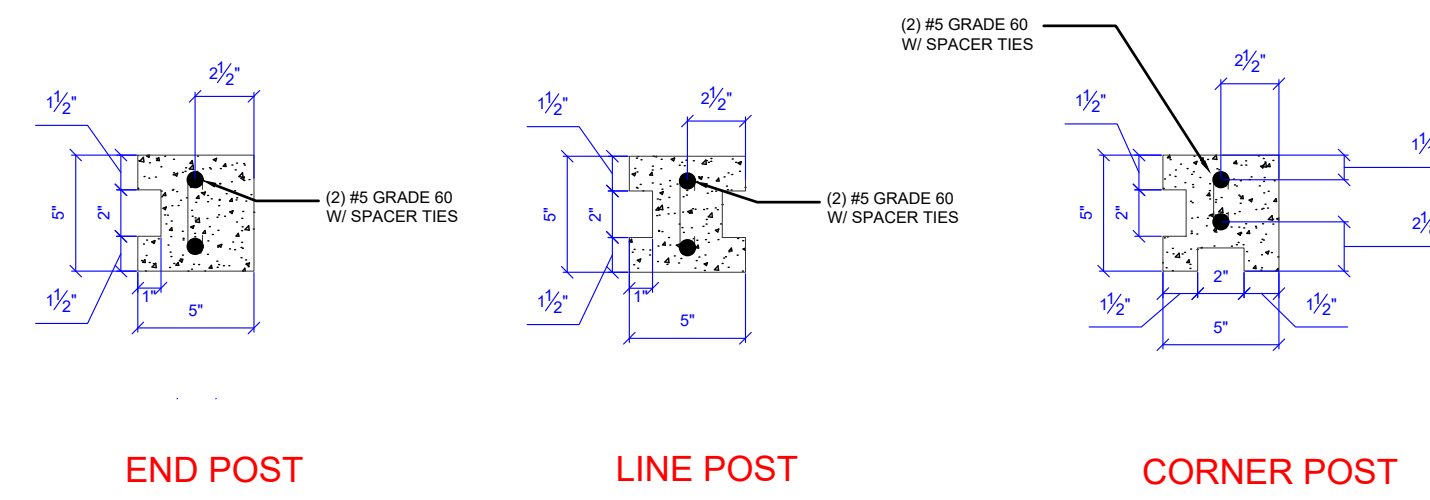


LEDGESTONE FENCE
SCALE : 1/2"=1'-0" ELEVATION

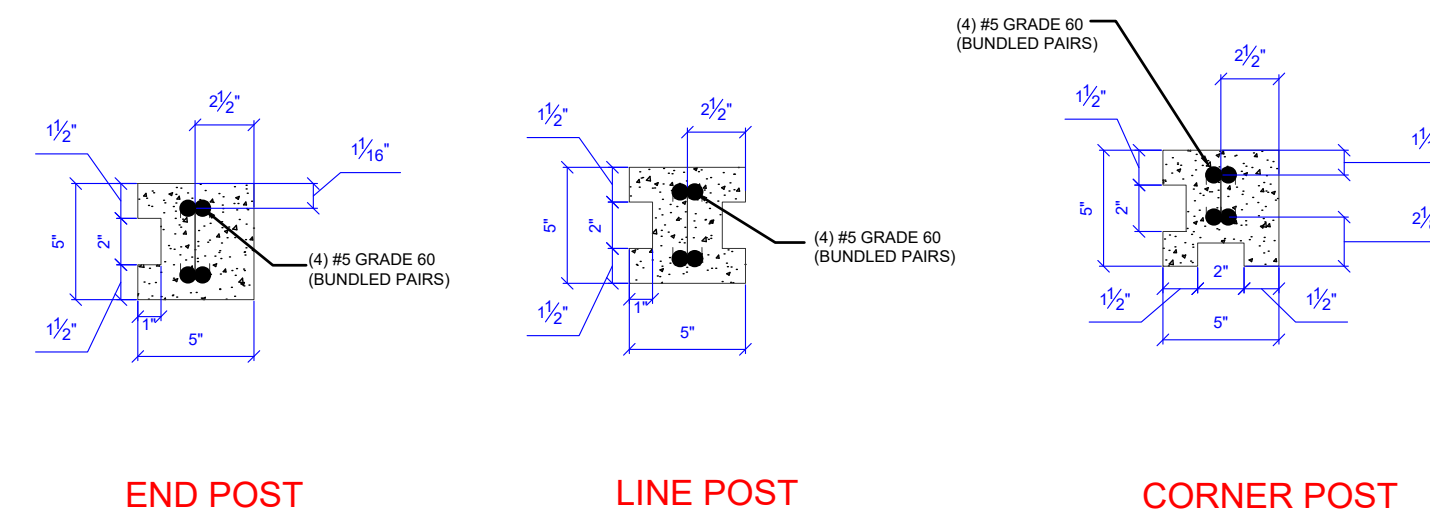


LEDGESTONE FENCE
SCALE : 1/2"=1'-0" SECTION

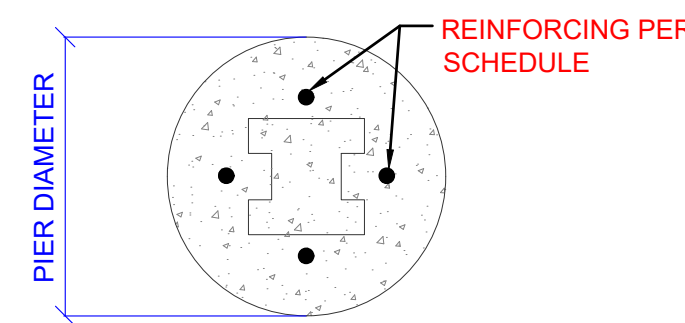
NOTE:
SMALL DIAMETER PVC PIPE IS COMMONLY CAST IN PIERS TO LEVEL PANELS.
IT IS ACCEPTABLE TO BEAR THE CONCRETE PANELS ON THE PVC LEVELERS.
PVC LEVELERS MUST BE SCHEDULE 40 W/ A MINIMUM NOMINAL DIAMETER OF 1".
THE PVC LEVELERS MAY EXTEND 1/2" MAX ABOVE THE TOP OF THE CONCRETE PIER.
NOTE: FINAL FINISH TO UNFINISHED COLUMNS TO BE SUPPLIED BY CONTRACTOR.



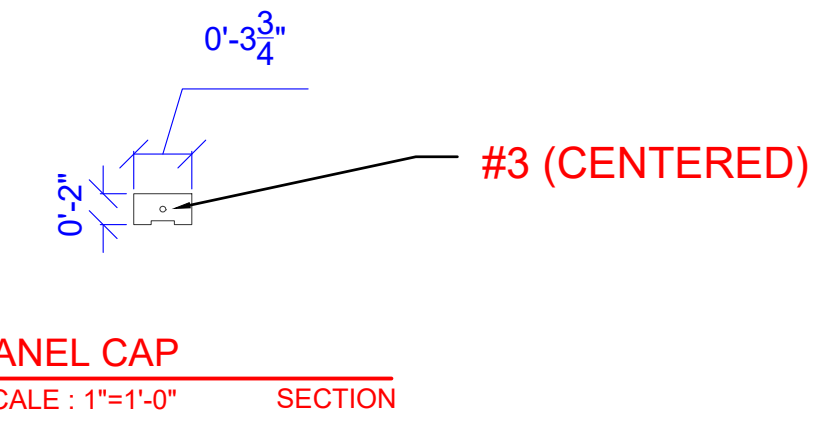
POST REINFORCEMENT FOR WIND SPEED UP TO 95 MPH
SCALE : 1-1/2"=1'-0"



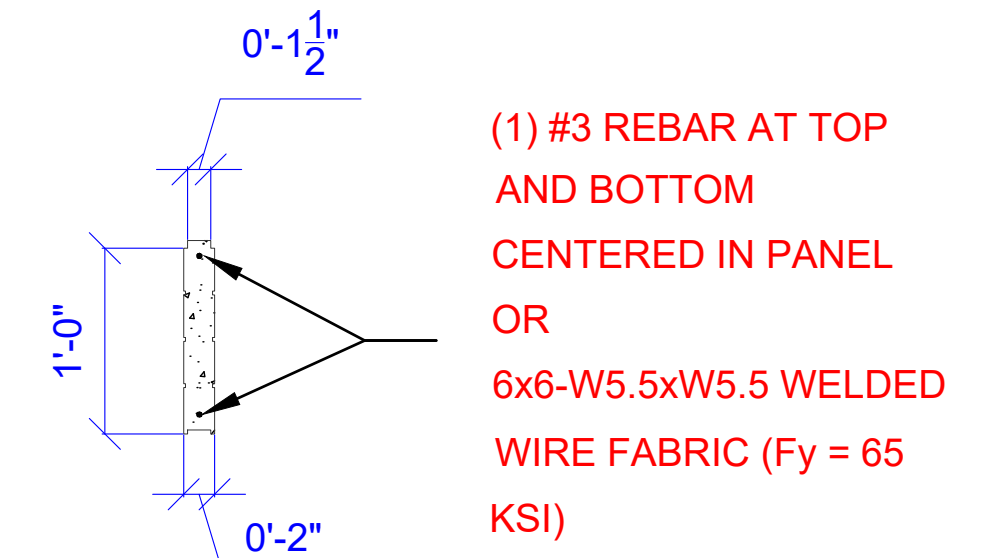
POST REINFORCEMENT FOR WIND SPEED UP GREATER THAN 95 MPH UP TO 165 MPH
SCALE : 1-1/2"=1'-0"



FOUNDATION PIER
SCALE : 1/2"=1'-0"



PANEL CAP
SCALE : 1"=1'-0" SECTION



LEDGESTONE PANEL
SCALE : 1"=1'-0" SECTION

DATE	DESCRIPTION	REV
01-10-2022	ISSUE FOR APPROVAL	A



SHEET NAME :		DATE :	01-10-2022	SHEET NUMBER:
8 FT - LEDGESTONE PRIVACY FENCE SYSTEM		SCALE :	AS PER PLAN	
		SHEET SIZE :	36x24	