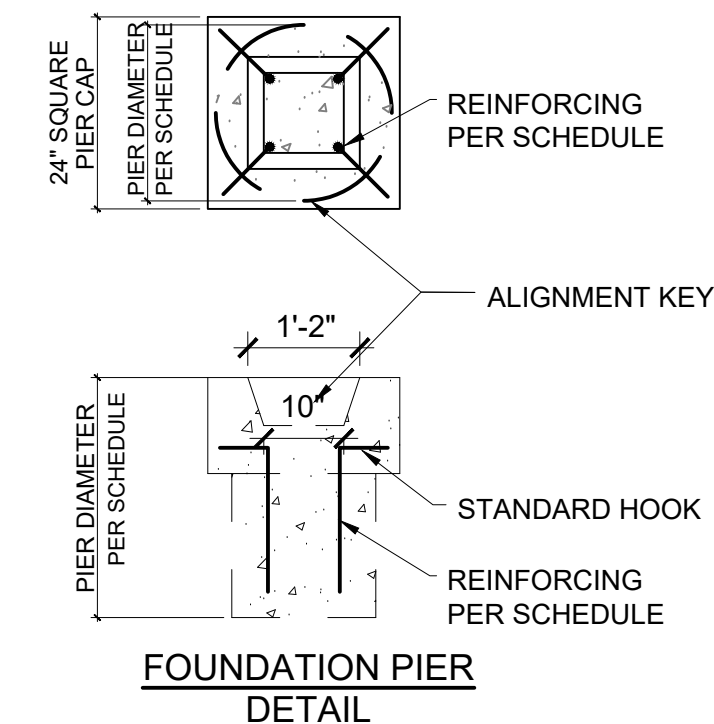
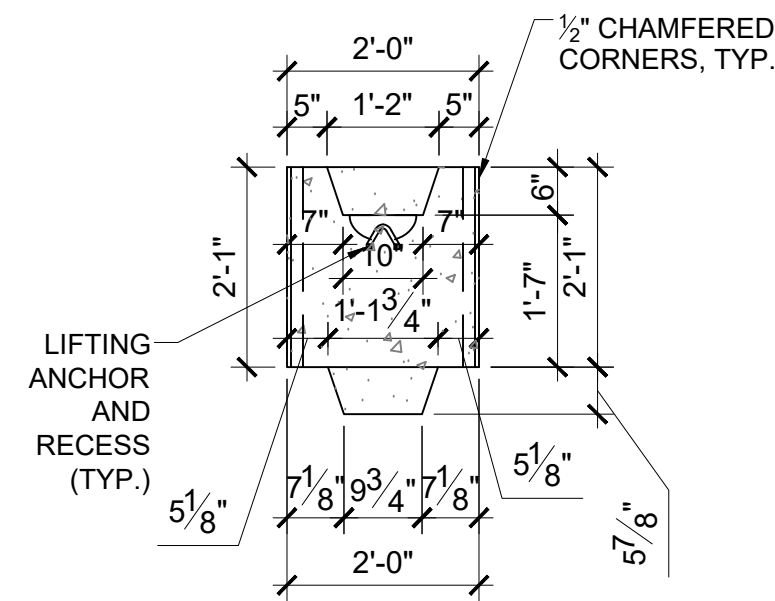
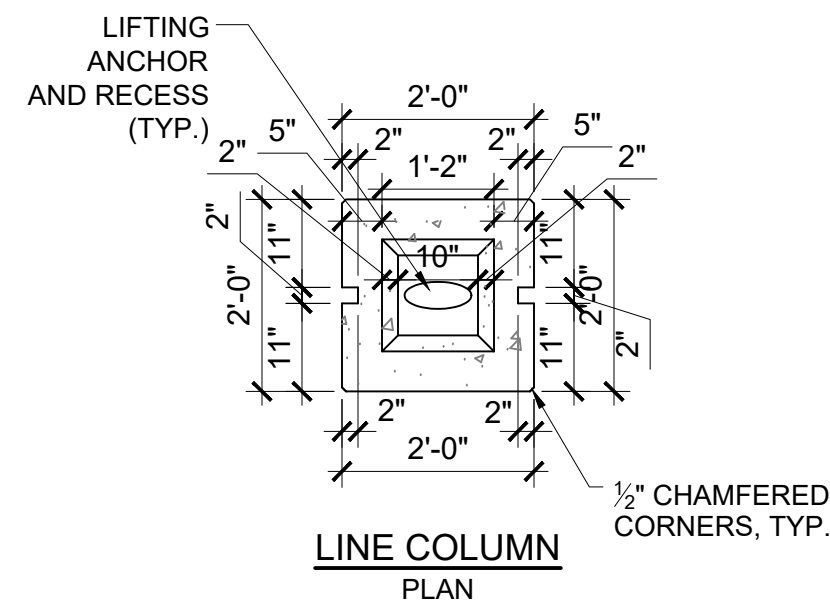


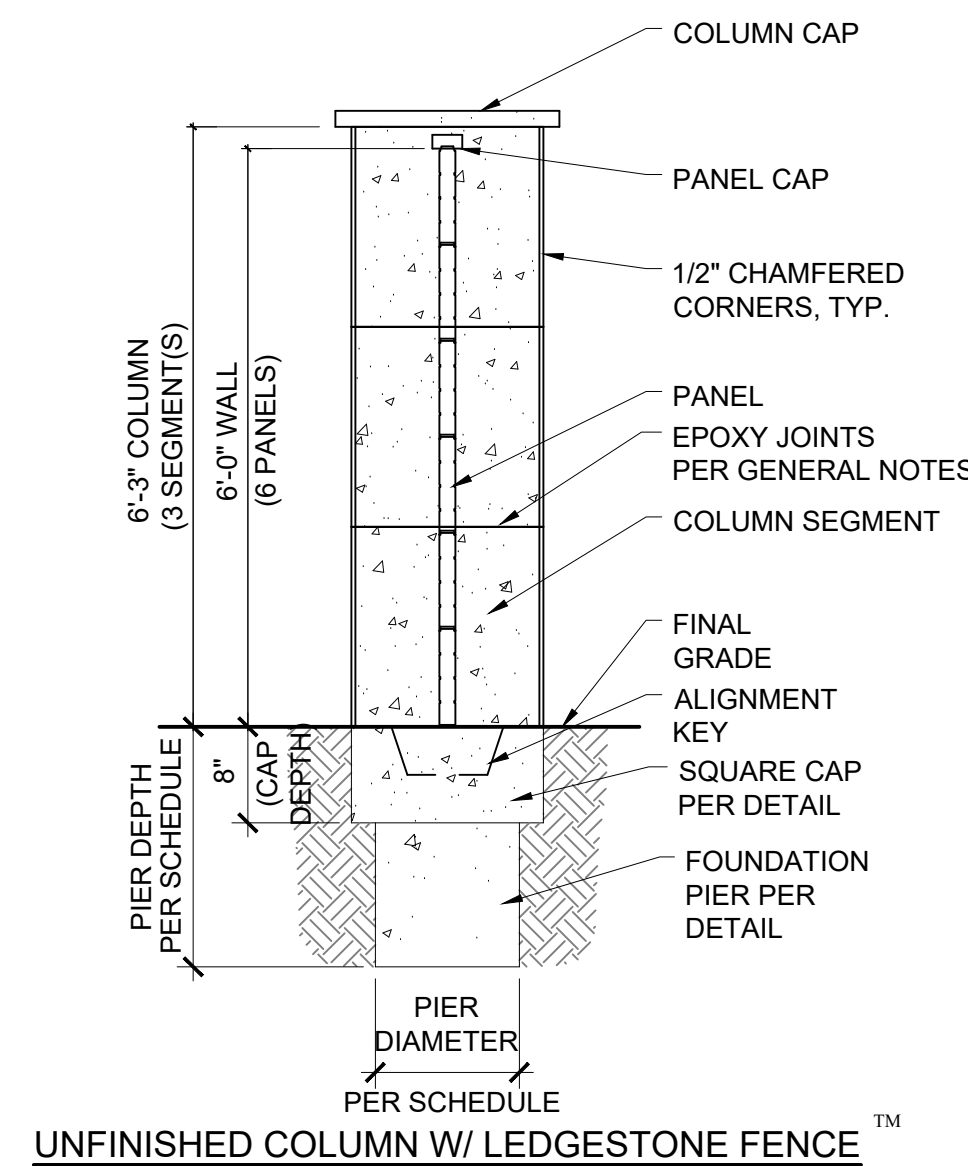
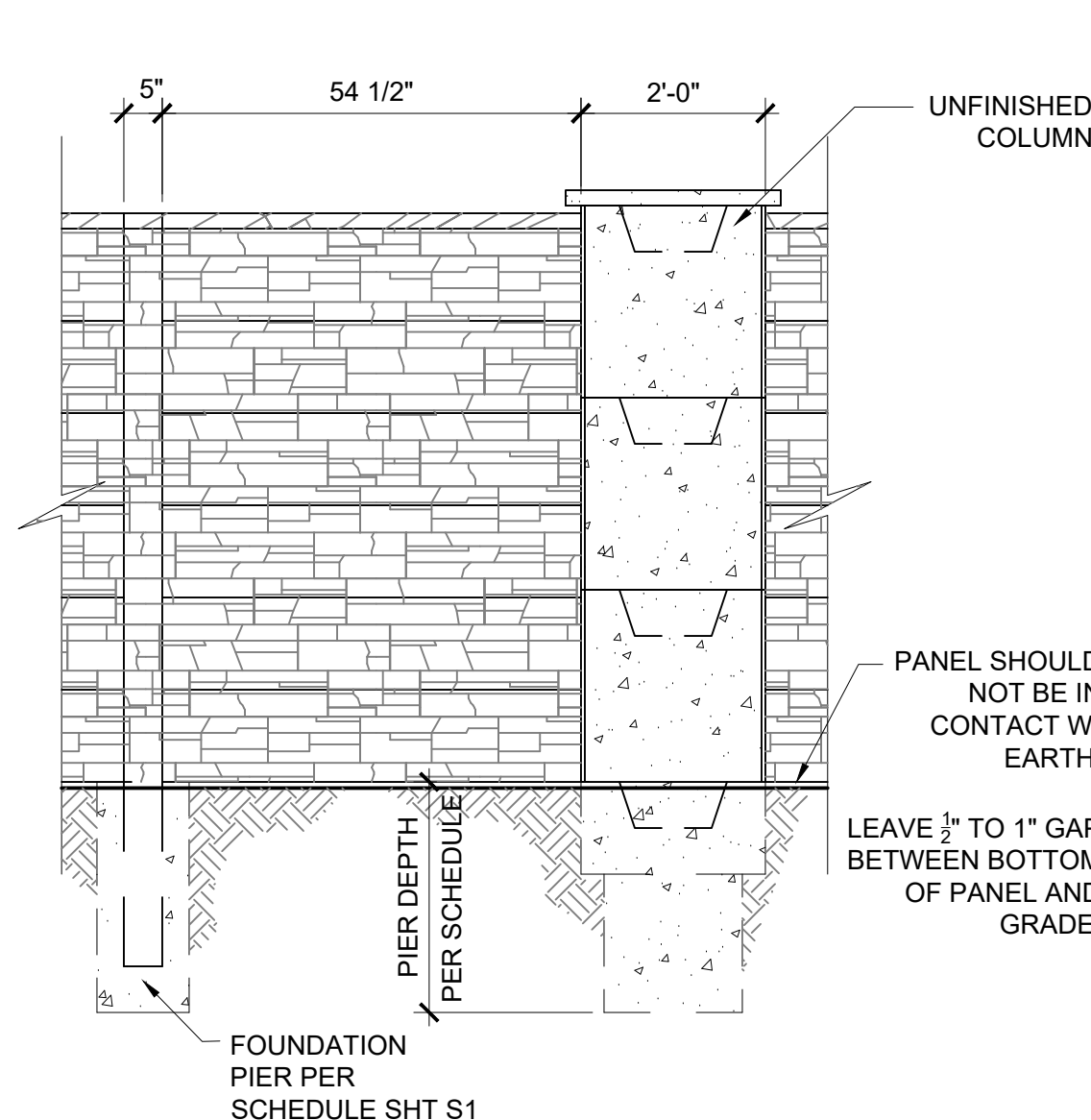
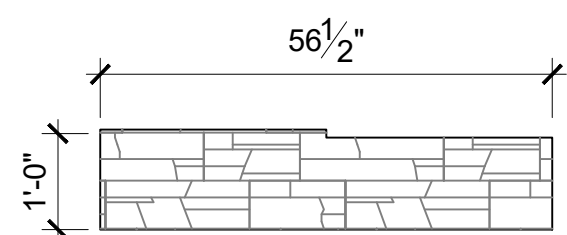
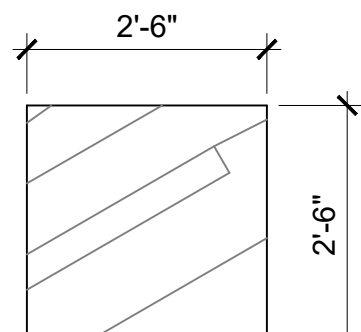
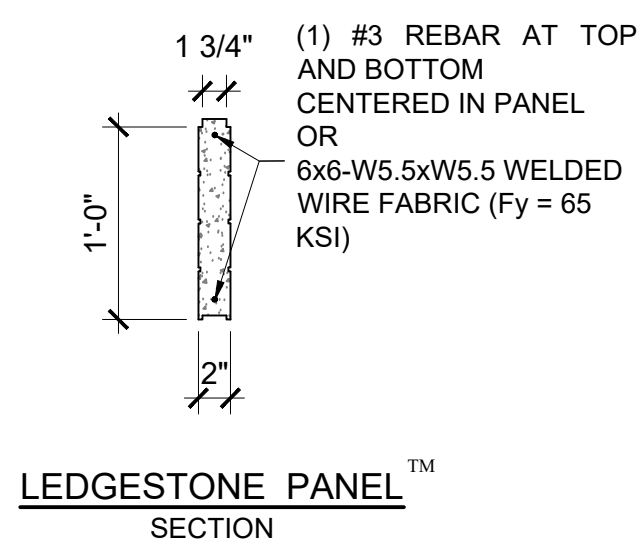
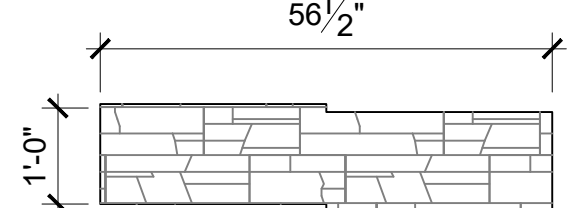
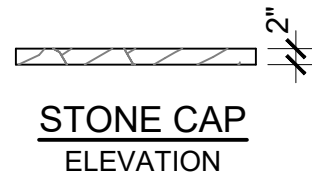
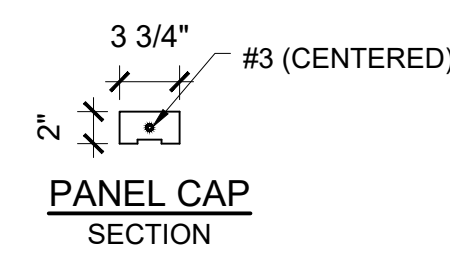
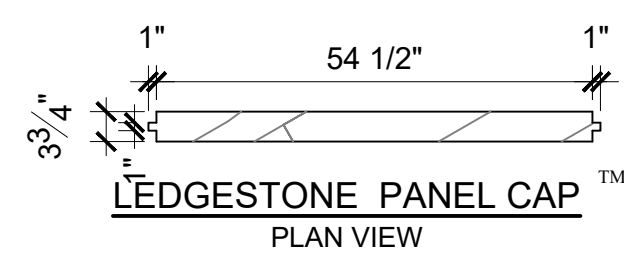
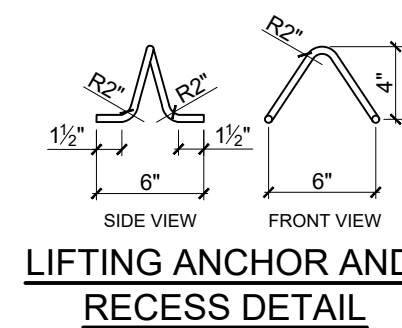
SCHEDULE OF RECOMMENDED FOUNDATION PIER MIN. SIZES

		2'x2' COLUMN, 6'-0" MAX. COLUMN HEIGHT													
		Bedrock			Gravel			Sand			Clay			Unknown Fill / Organics	
		Friction Angle, f = 40o (min)			Friction Angle, f = 35o (min)			Friction Angle, f = 30o (min)			Friction Angle, f = 0o (min)				
		Cohesion, c = 10,000 psf (min)			Cohesion, c = 0 psf (min)			Cohesion, c = 0 psf (min)			Cohesion, c = 1000 psf (min)				
		Bearing = 3000 psf			Bearing = 2000 psf			Bearing = 2000 psf			Bearing = 1500 psf				
		Total Density gt = 130 pcf (min)			Total Density gt = 120 pcf (min)			Total Density gt = 115 pcf (min)			Total Density gt = 110 pcf (min)			Poorly-Characterized	
Exposure	Wind Speed (mph)	Pier Diameter (in)			Pier Depth (ft)			Pier Diameter (in)			Pier Depth (ft)				
		Pier Diameter (in)	Pier Depth (ft)	Pier Steel	Pier Diameter (in)	Pier Depth (ft)	Pier Steel	Pier Diameter (in)	Pier Depth (ft)	Pier Steel	Pier Diameter (in)	Pier Depth (ft)	Pier Steel		
B	95	24	3.0	4-#5	24	3.0	4-#5	24	3.0	4-#5	24	3.0	4-#5		REQUIRES SITE SPECIFIC ENGINEERED FOUNDATION
	115	24	3.0	4-#5	24	3.0	4-#5	24	3.0	4-#5	24	3.0	4-#5		
	125	24	3.0	4-#5	24	3.0	4-#5	24	3.0	4-#5	24	3.0	4-#5		
	140	24	3.0	4-#5	24	3.0	4-#5	24	3.0	4-#5	24	3.5	4-#5		
	150	24	3.0	4-#5	24	3.0	4-#5	24	3.0	4-#5	24	4.0	4-#5		
165	24	3.0	4-#5	24	3.5	4-#5	24	3.5	4-#5	24	4.0	4-#5			
C	95	24	3.0	4-#5	24	3.0	4-#5	24	3.0	4-#5	24	3.0	4-#5		
	115	24	3.0	4-#5	24	3.0	4-#5	24	3.0	4-#5	24	3.5	4-#5		
	125	24	3.0	4-#5	24	3.0	4-#5	24	3.0	4-#5	24	4.0	4-#5		
	140	24	3.0	4-#5	24	3.5	4-#5	24	3.5	4-#5	24	4.5	4-#5		
	150	24	3.0	4-#5	24	3.5	4-#5	24	4.0	4-#5	24	5.0	4-#5		
165	24	3.5	4-#5	24	4.0	4-#5	24	4.0	4-#5	24	5.5	4-#5			

Note: Foundation pier minimum depth shall exceed depth required locally for frost protection.



USE MEADOW BURKE RAPID-LIFT SYSTEM, ITEM NUMBER 79URM (RECESS MEMBER) AND 79U40 (4" UTILITY ANCHOR) OR USE #3 BENT REINFORCING BAR (DETAILED BELOW) OR EQUAL.



UNFINISHED COLUMN W/ LEDGESTONE FENCE™ ELEVATION

UNFINISHED COLUMN W/ LEDGESTONE FENCE™ SECTION

NOTE: SMALL DIAMETER PVC PIPE IS COMMONLY CAST IN PIERS TO LEVEL PANELS. IT IS ACCEPTABLE TO BEAR THE CONCRETE PANELS ON THE PVC LEVELERS. PVC LEVELERS MUST BE SCHEDULE 40 W/ A MINIMUM NOMINAL DIAMETER OF 1". THE PVC LEVELERS MAY EXTEND 1/2" MAX ABOVE THE TOP OF THE CONCRETE PIER.

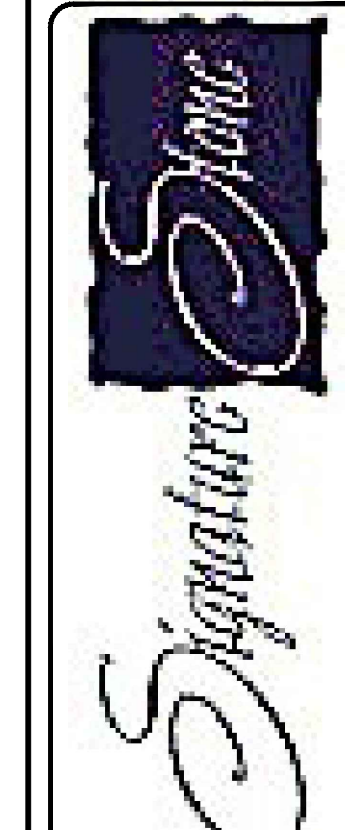
NOTE: FINAL FINISH TO UNFINISHED COLUMNS TO BE SUPPLIED BY CONTRACTOR.

LEDGESTONE PRIVACY FENCE SYSTEM

CTL THOMPSON
INCORPORATED
P.O. Box 80631
Fort Collins, CO 80524
www.cdt.com



THESE DRAWINGS AND ACCOMPANYING SPECIFICATIONS SHALL BE THE PROPERTY OF C.T.L. THOMPSON INCORPORATED. NO PART OF THESE DRAWINGS OR SPECIFICATIONS SHALL BE REPRODUCED, COPIED, OR TRANSMITTED IN ANY FORM OR BY ANY MEANS, ELECTRONIC OR MECHANICAL, INCLUDING PHOTOCOPYING, RECORDING, OR BY ANY INFORMATION STORAGE AND RETRIEVAL SYSTEM, WITHOUT THE WRITTEN PERMISSION OF C.T.L. THOMPSON INCORPORATED. ALL RIGHTS RESERVED.



SIGNATURE STONE 6" PRIVACY FENCE SYSTEM™

REV.	DATE	REVISION/ISSUE
1		
2		
3		

CLIENT:
SIGNATURE STONE
211 30TH STREET
GREELEY, COLORADO, 80631
contact: ERIC BOEHNER
(970) 351-0270

TDM	S2
DES	
FC07305.000	
11/22/2022	
PER PLAN	