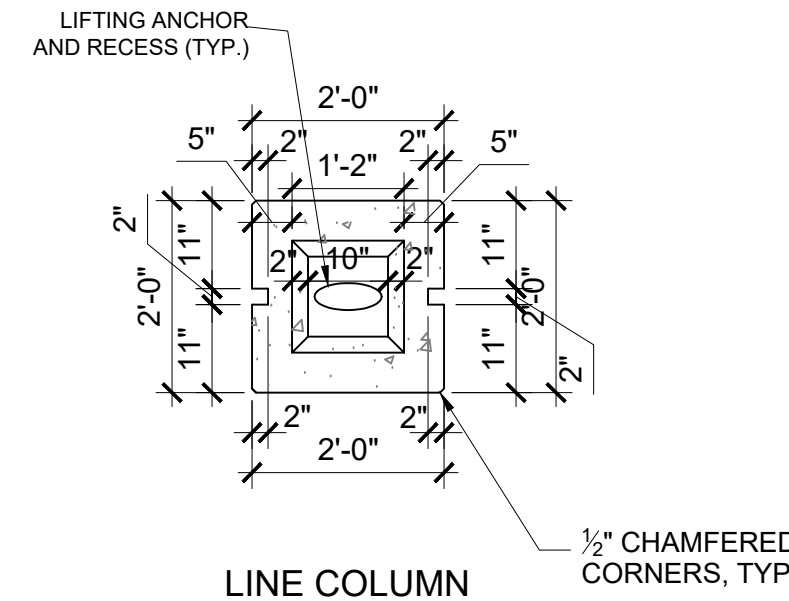


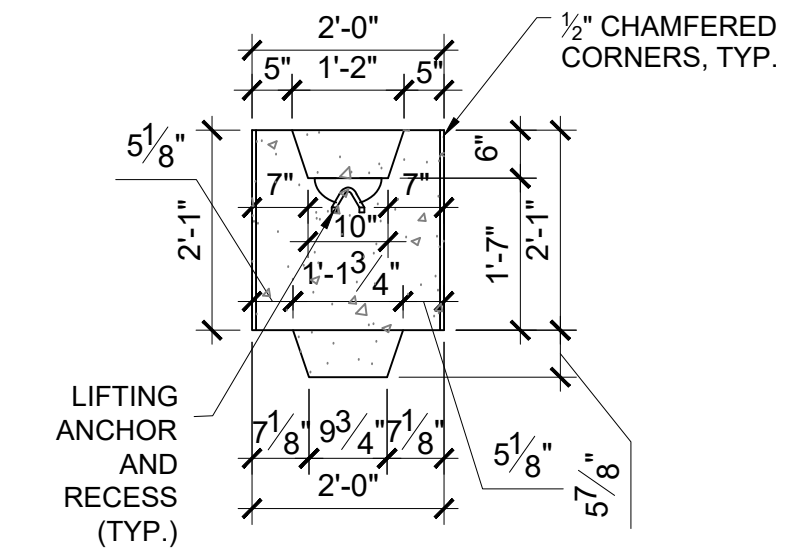
SCHEDULE OF RECOMMENDED FOUNDATION PIER MIN. SIZES

		2'x2' COLUMN, 8'-0" MAX. COLUMN HEIGHT												Unknown Fill / Organics
		Bedrock			Gravel			Sand			Clay			Poorly-Characterized
		Friction Angle, f = 40o (min)			Friction Angle, f = 35o (min)			Friction Angle, f = 30o (min)			Friction Angle, f = 20o (min)			
		Cohesion, c = 10,000 psf (min)			Cohesion, c = 0 psf (min)			Cohesion, c = 0 psf (min)			Cohesion, c = 1000 psf (min)			
		Bearing = 3000 psf			Bearing = 2000 psf			Bearing = 2000 psf			Bearing = 1500 psf			
		Total Density gt = 130 pcf (min)			Total Density gt = 120 pcf (min)			Total Density gt = 115 pcf (min)			Total Density gt = 110 pcf (min)			REQUIRES SITE SPECIFIC ENGINEERED FOUNDATION
Exposure	Wind Speed (mph)	Pier Diameter (in)	Pier Depth (ft)	Pier Steel	Pier Diameter (in)	Pier Depth (ft)	Pier Steel	Pier Diameter (in)	Pier Depth (ft)	Pier Steel	Pier Diameter (in)	Pier Depth (ft)	Pier Steel	
B	95	24	3.0	4-#5	24	3.0	4-#5	24	3.0	4-#5	32	3.0	4-#5	
	115	24	3.0	4-#5	24	3.0	4-#5	24	3.0	4-#5	32	3.0	4-#5	
	125	24	3.0	4-#5	24	3.5	4-#5	24	3.5	4-#5	32	4.0	4-#5	
	140	24	3.0	4-#5	24	3.5	4-#5	24	3.5	4-#5	32	4.0	4-#5	
	150	24	3.0	4-#5	24	4.0	4-#5	24	4.0	4-#5	32	4.0	4-#5	
C	165	24	3.5	4-#5	24	4.5	4-#5	24	4.5	4-#5	32	4.5	4-#5	
	95	24	3.0	4-#5	24	3.0	4-#5	24	3.0	4-#5	32	3.0	4-#5	
	115	24	3.0	4-#5	24	3.5	4-#5	24	4.0	4-#5	32	4.0	4-#5	
	125	24	3.5	4-#5	24	4.0	4-#5	24	4.0	4-#5	32	4.5	4-#5	
	140	24	3.5	4-#5	24	4.5	4-#5	24	4.5	4-#5	32	5.0	4-#5	
150	24	4.0	4-#5	24	5.0	4-#5	24	5.0	4-#5	32	5.5	4-#5		
165	24	4.5	4-#5	24	5.5	4-#5	24	5.5	4-#5	32	6.0	4-#5		

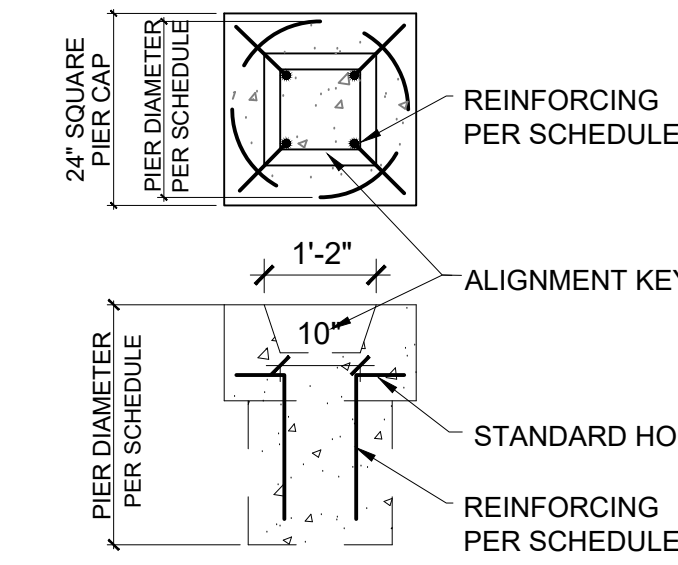
Note: Foundation pier minimum depth shall exceed depth required locally for frost protection.



LINE COLUMN PLAN

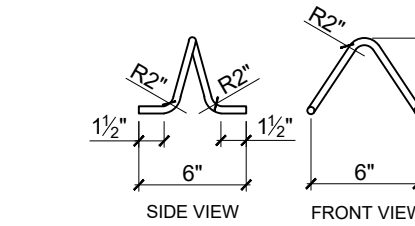


LINE COLUMN ELEVATION

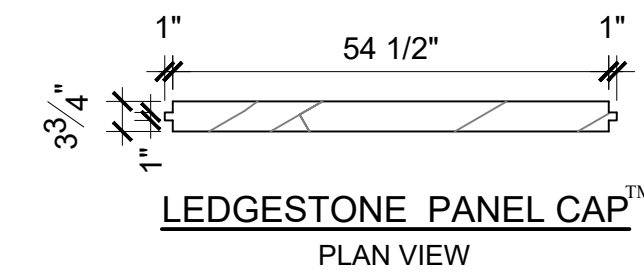


FOUNDATION PIER DETAIL

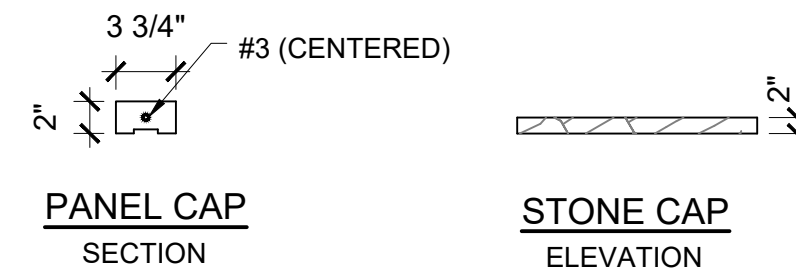
USE MEADOW BURKE RAPID-LIFT SYSTEM, ITEM NUMBER 79URM (RECESS MEMBER) AND 79U40 (4" UTILITY ANCHOR) OR USE #3 BENT REINFORCING BAR (DETAILED BELOW) OR EQUAL.



LIFTING ANCHOR AND RECESS DETAIL



LEDGESTONE PANEL CAP PLAN VIEW

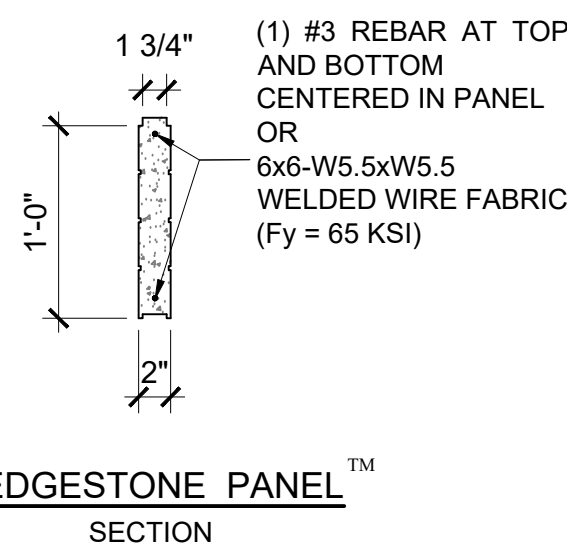


PANEL CAP SECTION

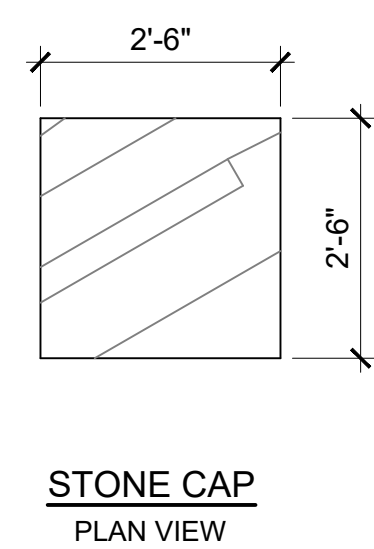
STONE CAP ELEVATION



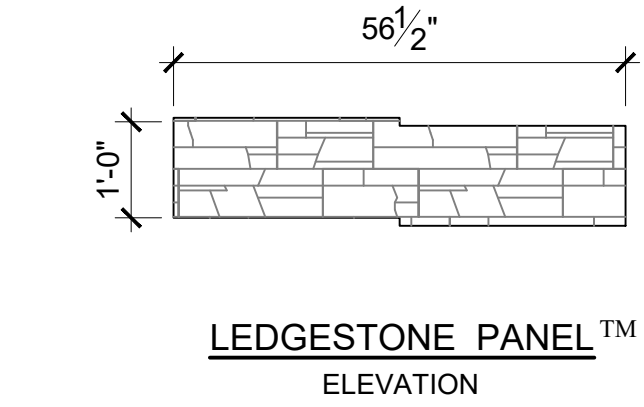
LEDGESTONE PANEL PLAN VIEW



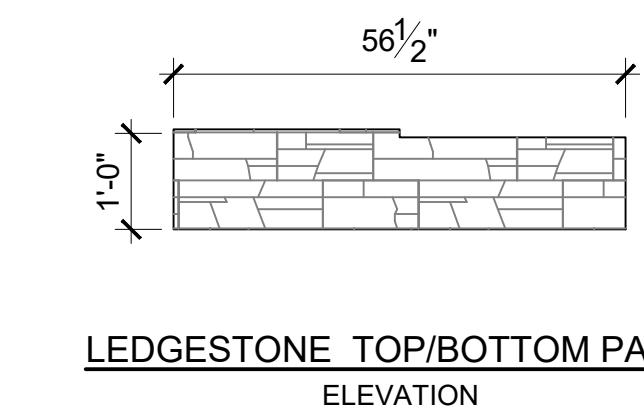
LEDGESTONE PANEL SECTION



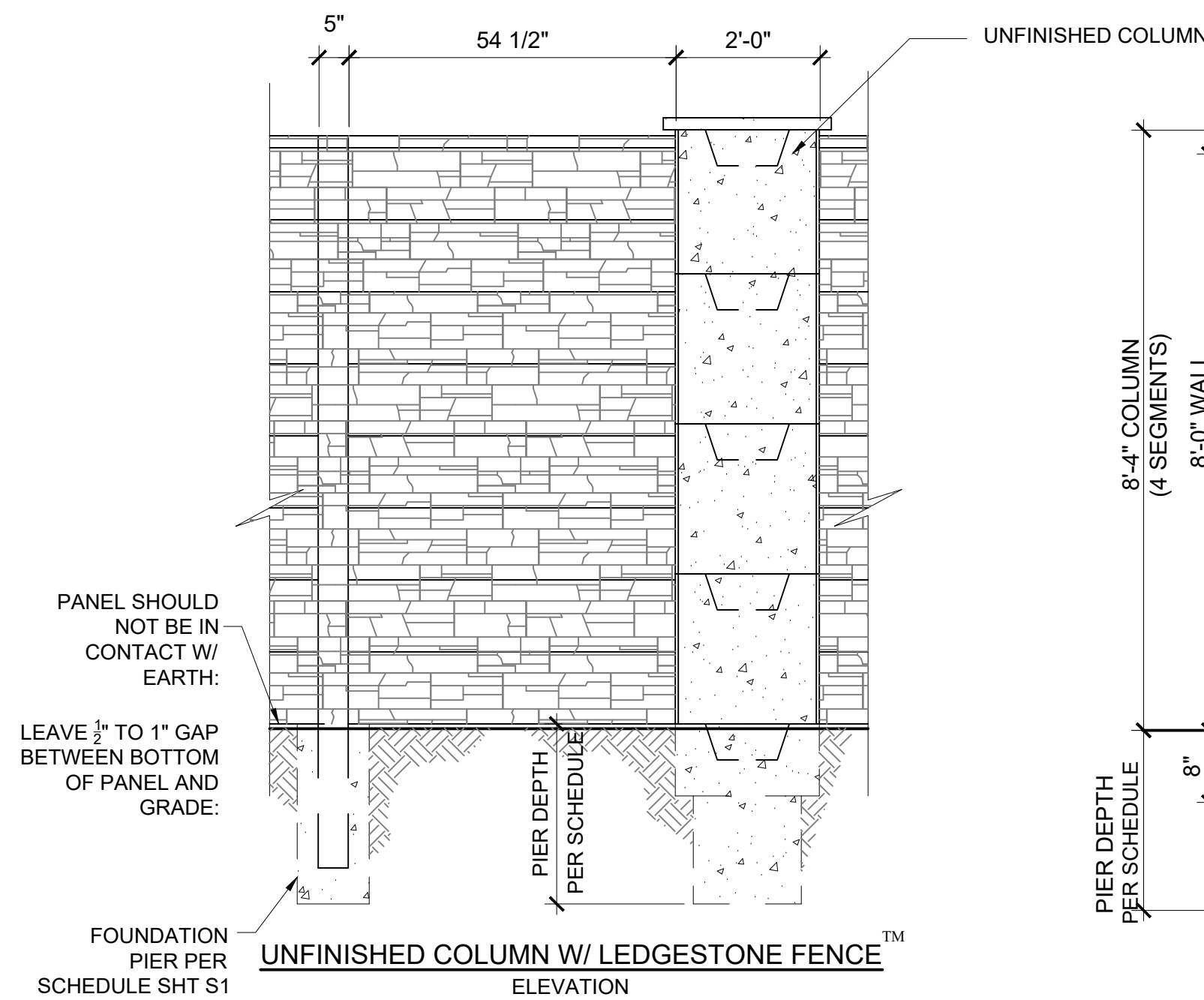
STONE CAP PLAN VIEW



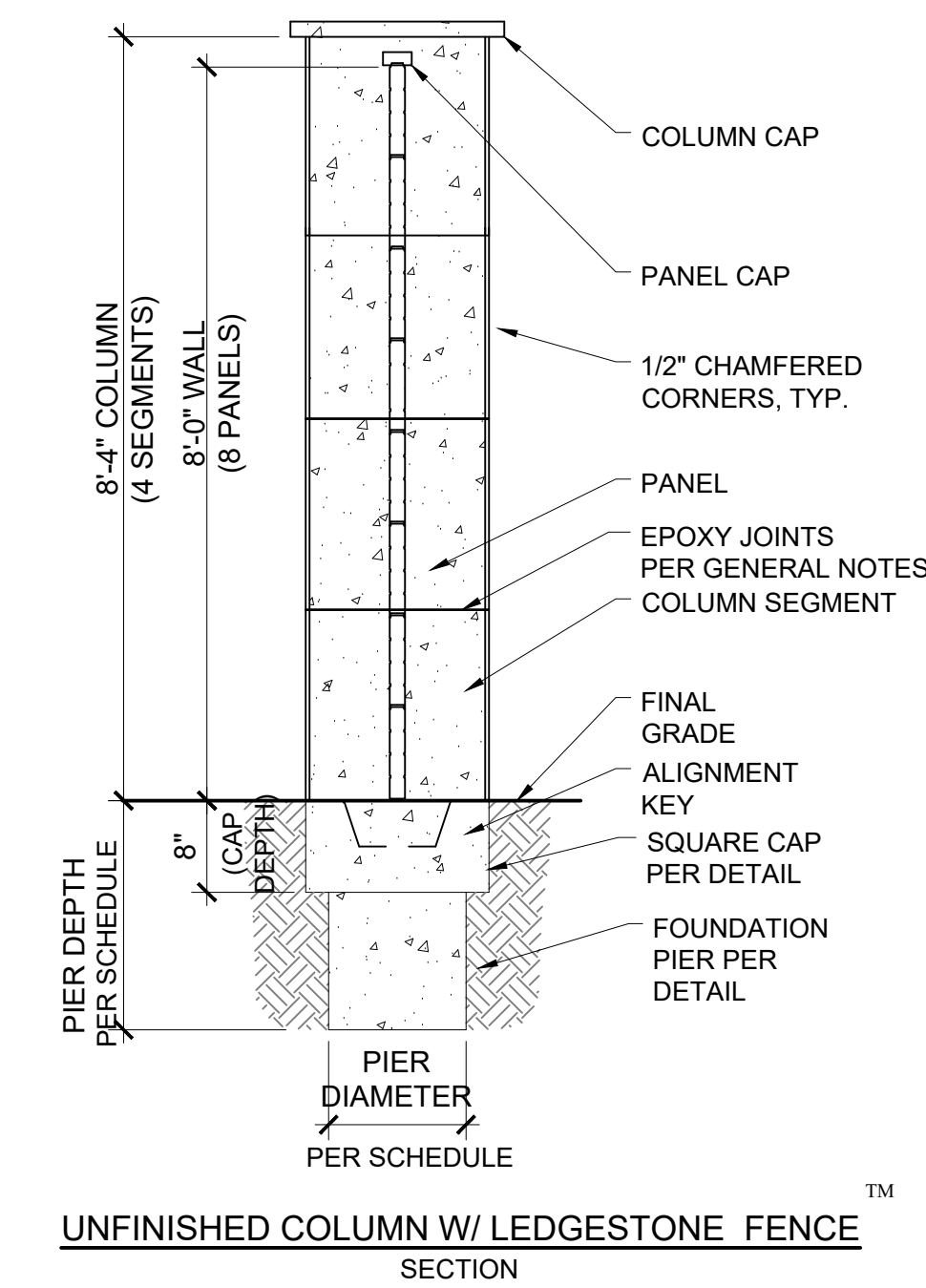
LEDGESTONE PANEL ELEVATION



LEDGESTONE TOP/BOTTOM PANEL ELEVATION



UNFINISHED COLUMN W/ LEDGESTONE FENCE ELEVATION



UNFINISHED COLUMN W/ LEDGESTONE FENCE SECTION

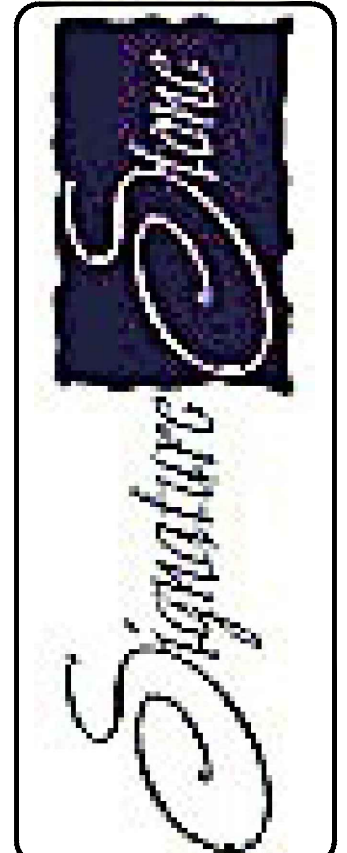
NOTE: FINAL FINISH TO UNFINISHED COLUMNS TO BE SUPPLIED BY CONTRACTOR.

NOTE: SMALL DIAMETER PVC PIPE IS COMMONLY CAST IN PIERS TO LEVEL PANELS. IT IS ACCEPTABLE TO BEAR THE CONCRETE PANELS ON THE PVC LEVELERS. PVC LEVELERS MUST BE SCHEDULE 40 W/ A MINIMUM NOMINAL DIAMETER OF 1". THE PVC LEVELERS MAY EXTEND 1/2" MAX ABOVE THE TOP OF THE CONCRETE PIER.

**CTL THOMPSON**  
INCORPORATED  
P: 970-206-8465  
F: 970-206-8441  
www.cctl.com



THESE DRAWINGS AND ACCOMPANYING SPECIFICATIONS SHALL BE THE PROPERTY OF CTL THOMPSON INCORPORATED. NO PART OF THESE DRAWINGS OR SPECIFICATIONS SHALL BE REPRODUCED, COPIED, OR TRANSMITTED IN ANY FORM OR BY ANY MEANS, ELECTRONIC OR MECHANICAL, INCLUDING PHOTOCOPYING, RECORDING, OR BY ANY INFORMATION STORAGE AND RETRIEVAL SYSTEM, WITHOUT THE WRITTEN PERMISSION OF CTL THOMPSON INCORPORATED. ALL RIGHTS RESERVED.



**SIGNATURE STONE 8" PRIVACY FENCE SYSTEM**

REV. DATE	REVISION/ISSUE
11	1
12	2
13	3

**CLIENT:**  
SIGNATURE STONE  
211 30TH STREET  
GREELEY, COLORADO, 80631  
contact: ERIC BOEHNER  
(970) 351-0270

TDM	S4
DES	
FC07305.000	
11/22/2022	
PER PLAN	

LEDGESTONE PRIVACY FENCE SYSTEM