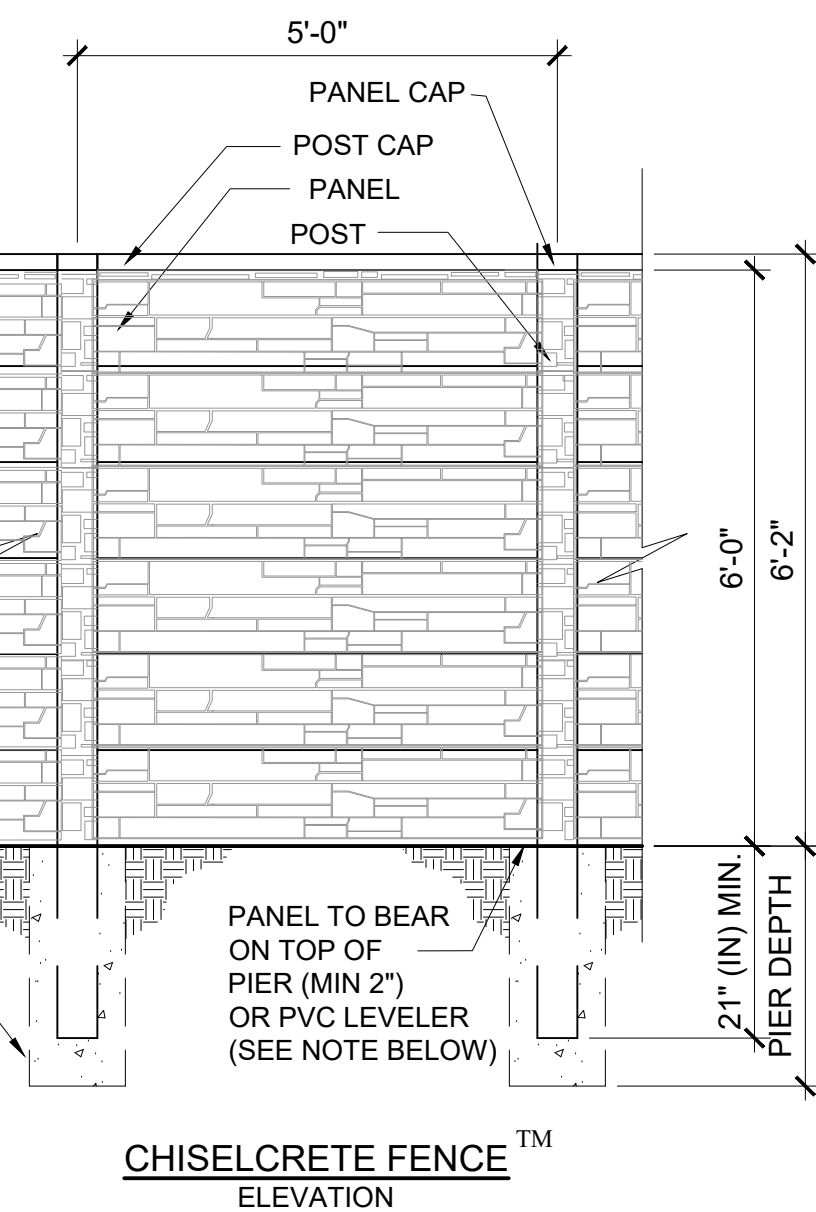
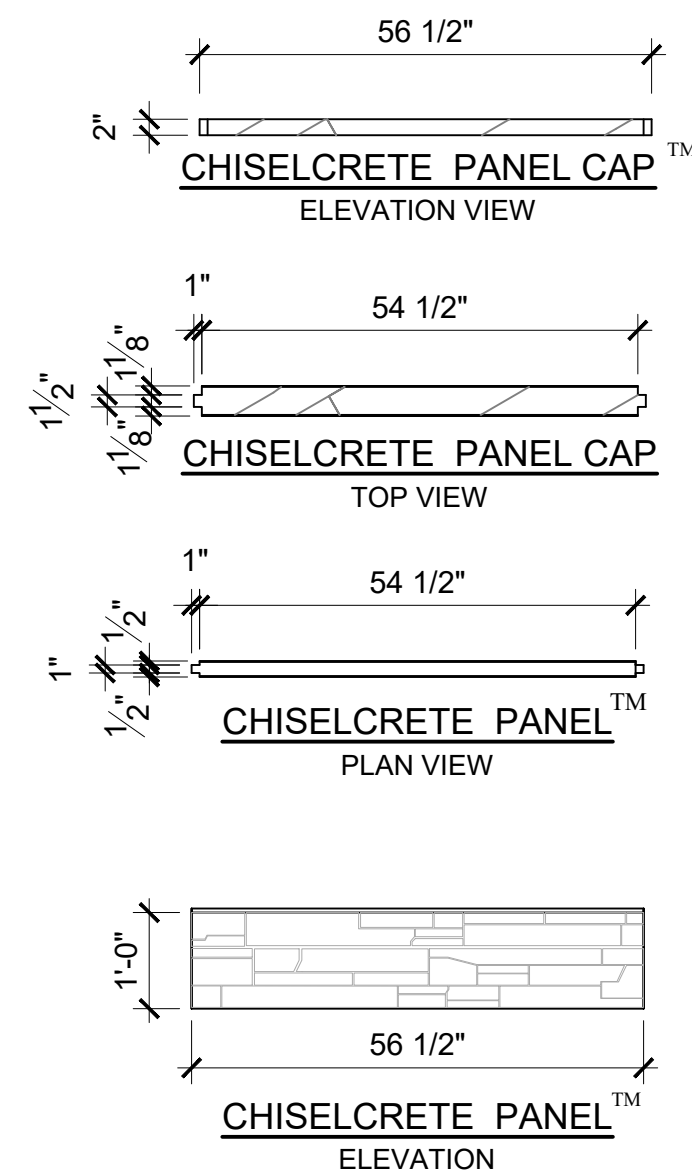


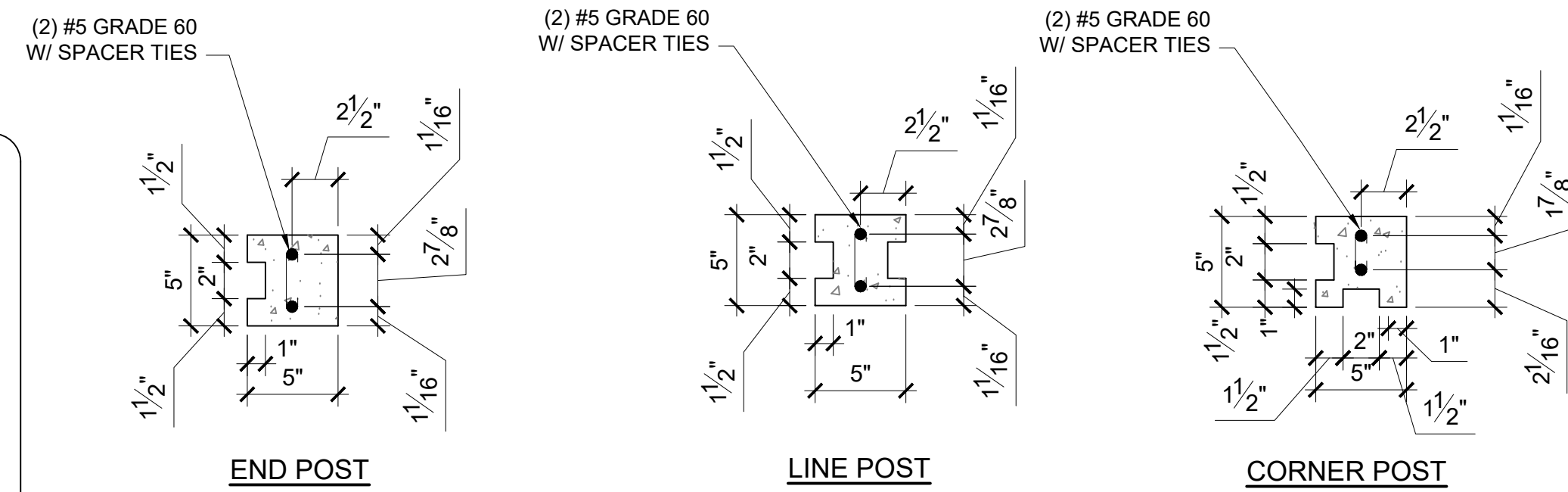
**SCHEDULE OF RECOMMENDED FOUNDATION PIER MIN. SIZES**

		5"x5" POST, 6'-0" MAX. COLUMN HEIGHT												Unknown Fill / Organics	
		Bedrock			Gravel			Sand			Clay				Poorly-Characterized
		Friction Angle, f = 40o (min)			Friction Angle, f = 35o (min)			Friction Angle, f = 30o (min)			Friction Angle, f = 0o (min)				
		Cohesion, c = 10,000 psf (min)			Cohesion, c = 0 psf (min)			Cohesion, c = 0 psf (min)			Cohesion, c = 1000 psf (min)				
		Bearing = 3000 psf			Bearing = 2000 psf			Bearing = 2000 psf			Bearing = 1500 psf				
		Total Density gt = 130 pcf (min)			Total Density gt = 120 pcf (min)			Total Density gt = 115 pcf (min)			Total Density gt = 110 pcf (min)				
Exposure	Wind Speed (mph)	Pier Diameter (in)			Pier Depth (ft)			Pier Diameter (in)			Pier Depth (ft)			Pier Steel	
		Pier Diameter (in)	Pier Depth (ft)	Pier Steel	Pier Diameter (in)	Pier Depth (ft)	Pier Steel	Pier Diameter (in)	Pier Depth (ft)	Pier Steel	Pier Diameter (in)	Pier Depth (ft)	Pier Steel		
B	95	18	3.0	4-#5	18	3.0	4-#5	18	3.0	4-#5	18	3.0	4-#5	REQUIRES SITE SPECIFIC ENGINEERED FOUNDATION	
	115	18	3.0	4-#5	18	3.0	4-#5	18	3.0	4-#5	18	3.0	4-#5		
	125	18	3.0	4-#5	18	3.0	4-#5	18	3.0	4-#5	18	3.5	4-#5		
	140	18	3.0	4-#5	18	3.0	4-#5	18	3.0	4-#5	18	4.0	4-#5		
	150	18	3.0	4-#5	18	3.5	4-#5	18	3.5	4-#5	18	4.0	4-#5		
165	18	3.0	4-#5	18	3.5	4-#5	18	3.5	4-#5	18	4.5	4-#5			
C	95	18	3.0	4-#5	18	3.0	4-#5	18	3.0	4-#5	18	3.0	4-#5		
	115	18	3.0	4-#5	18	3.0	4-#5	18	3.0	4-#5	18	4.0	4-#5		
	125	18	3.0	4-#5	18	3.5	4-#5	18	3.5	4-#5	18	4.0	4-#5		
	140	18	3.0	4-#5	18	4.0	4-#5	18	4.0	4-#5	18	5.0	4-#5		
	150	18	3.5	4-#5	18	4.0	4-#5	18	4.0	4-#5	18	5.0	4-#5		
165	18	3.5	4-#5	18	4.5	4-#5	18	4.5	4-#5	18	6.0	4-#5			

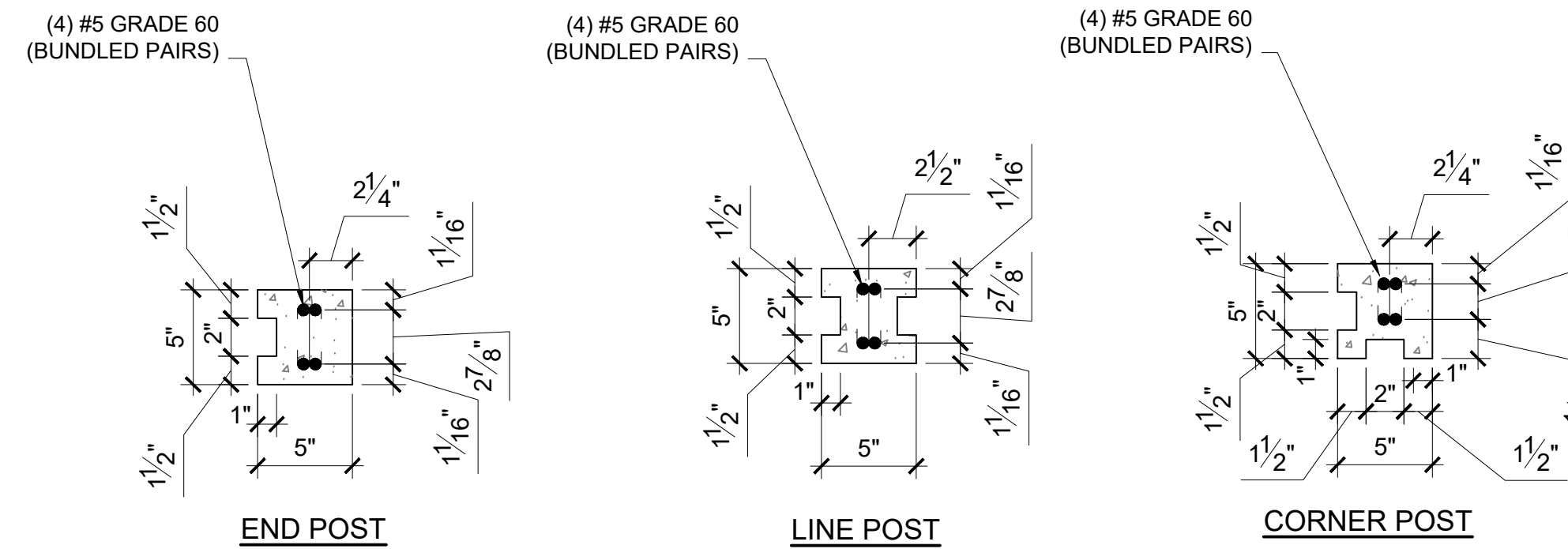
Note: Foundation pier minimum depth shall exceed depth required locally for frost protection.



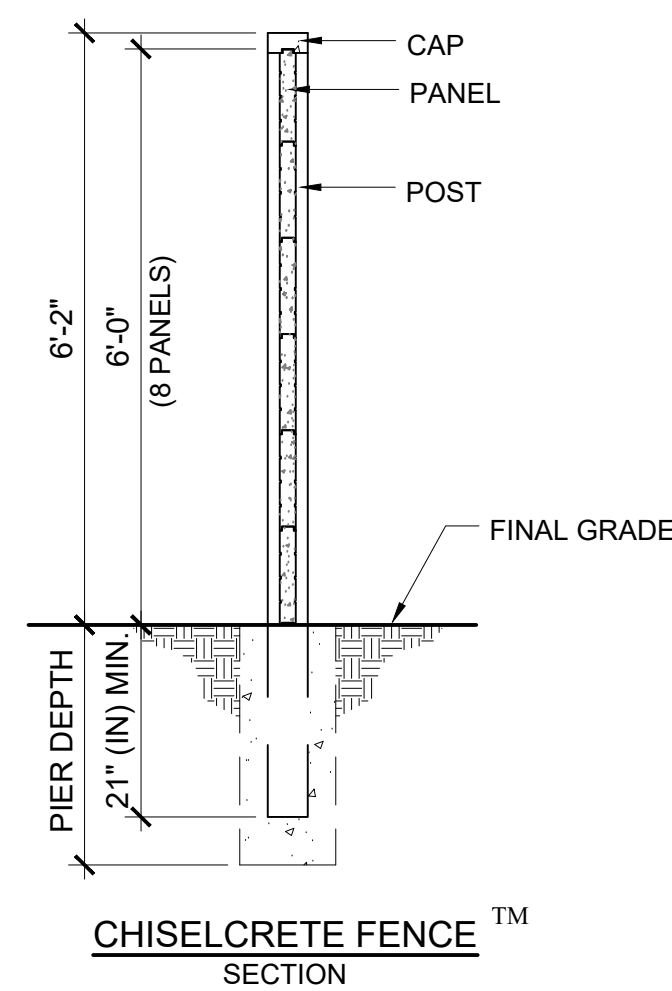
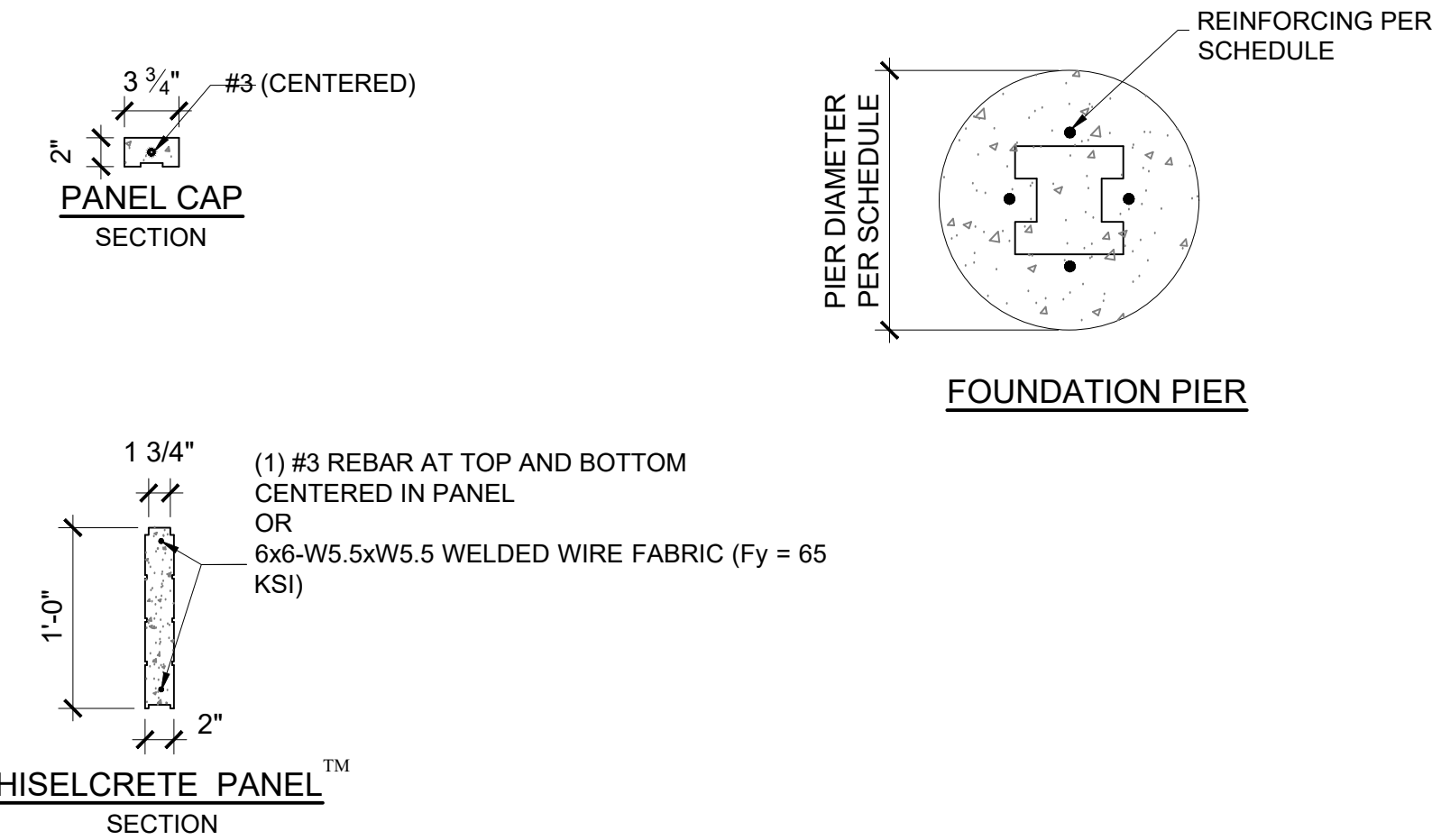
NOTE: SMALL DIAMETER PVC PIPE IS COMMONLY CAST IN PIERS TO LEVEL PANELS. IT IS ACCEPTABLE TO BEAR THE CONCRETE PANELS ON THE PVC LEVELERS. PVC LEVELERS MUST BE SCHEDULE 40 W/ A MINIMUM NOMINAL DIAMETER OF 1". THE PVC LEVELERS MAY EXTEND 1/2" MAX ABOVE THE TOP OF THE CONCRETE PIER.



POST REINFORCEMENT FOR WIND SPEED UP TO 140 MPH



POST REINFORCEMENT FOR WIND SPEED GREATER THAN 140 MPH UP TO 165 MPH



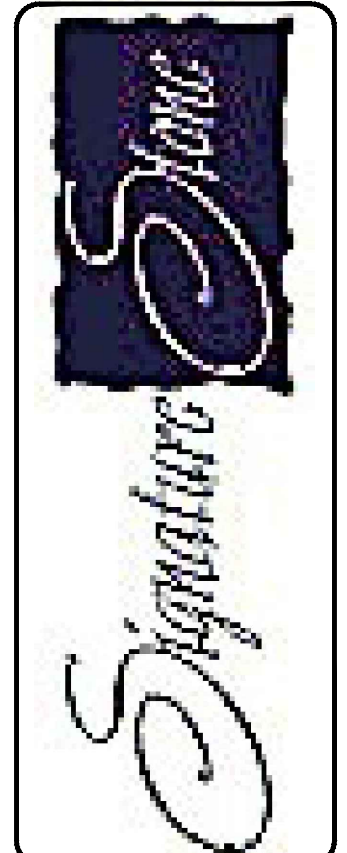
CHISELCRETE PRIVACY FENCE SYSTEM

**CTL THOMPSON**  
INCORPORATED  
P.O. BOX 305, 8455  
F.R. 70, BOX 8441  
www.cdt.com

CTL THOMPSON INCORPORATED  
400 North Loop  
Fort Collins, CO 80524



THESE DRAWINGS AND ACCOMPANYING SPECIFICATIONS SHALL BE THE PROPERTY OF CTL THOMPSON INCORPORATED. NO PART OF THESE DRAWINGS OR SPECIFICATIONS SHALL BE REPRODUCED OR TRANSMITTED IN ANY FORM OR BY ANY MEANS, ELECTRONIC OR MECHANICAL, INCLUDING PHOTOCOPYING, RECORDING, OR BY ANY INFORMATION STORAGE AND RETRIEVAL SYSTEM, WITHOUT THE WRITTEN PERMISSION OF CTL THOMPSON INCORPORATED. THIS DRAWING IS THE PROPERTY OF CTL THOMPSON INCORPORATED AND IS TO BE USED ONLY FOR THE PROJECT AND SITE SPECIFICALLY IDENTIFIED HEREON. ANY REUSE OR MODIFICATION OF THIS DRAWING WITHOUT THE WRITTEN PERMISSION OF CTL THOMPSON INCORPORATED IS STRICTLY PROHIBITED.



**SIGNATURE STONE 6' PRIVACY FENCE SYSTEM**

REV. DATE	REVISION/ISSUE
1	
2	
3	

**CLIENT:**  
SIGNATURE STONE  
211 30TH STREET  
GREELEY, COLORADO, 80631  
contact: ERIC BOEHNER  
(970) 351-0270

TDM	S5
DES	
FC07305.000	
11/22/2022	
PER PLAN	