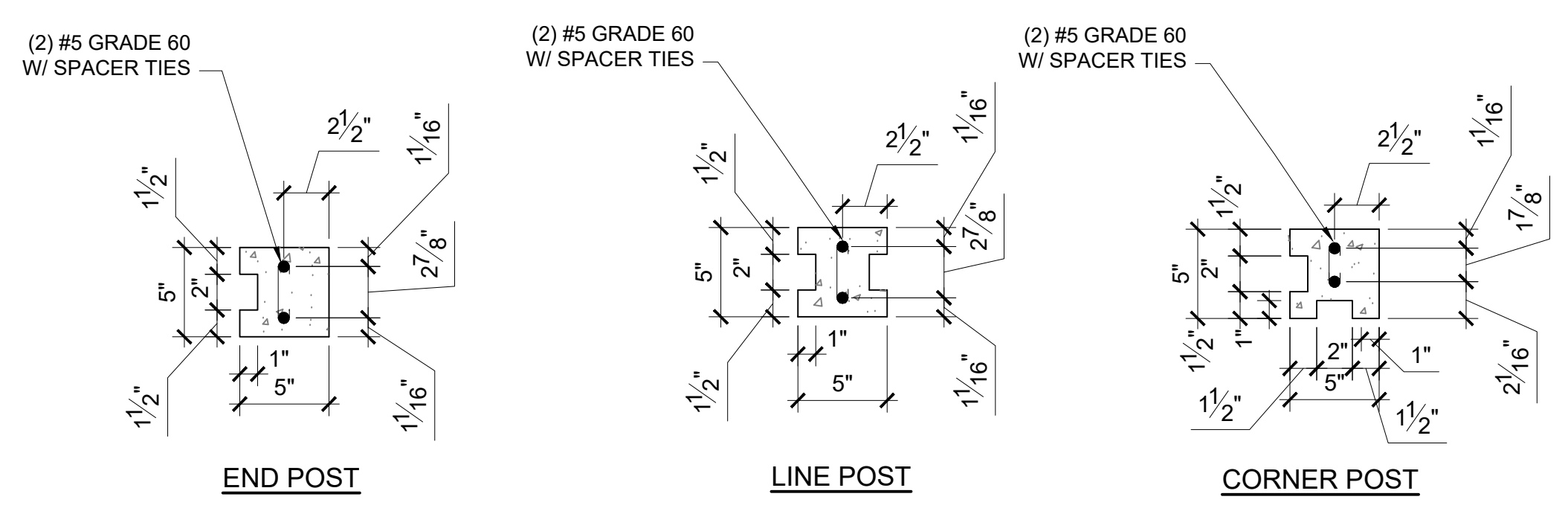
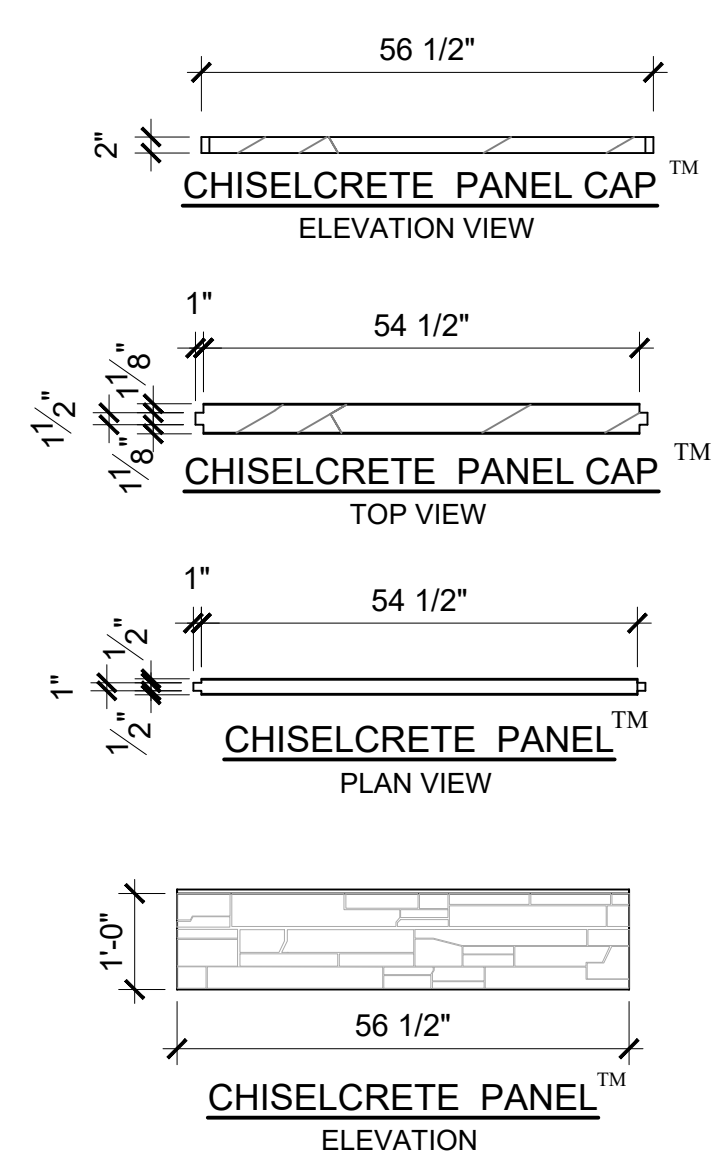
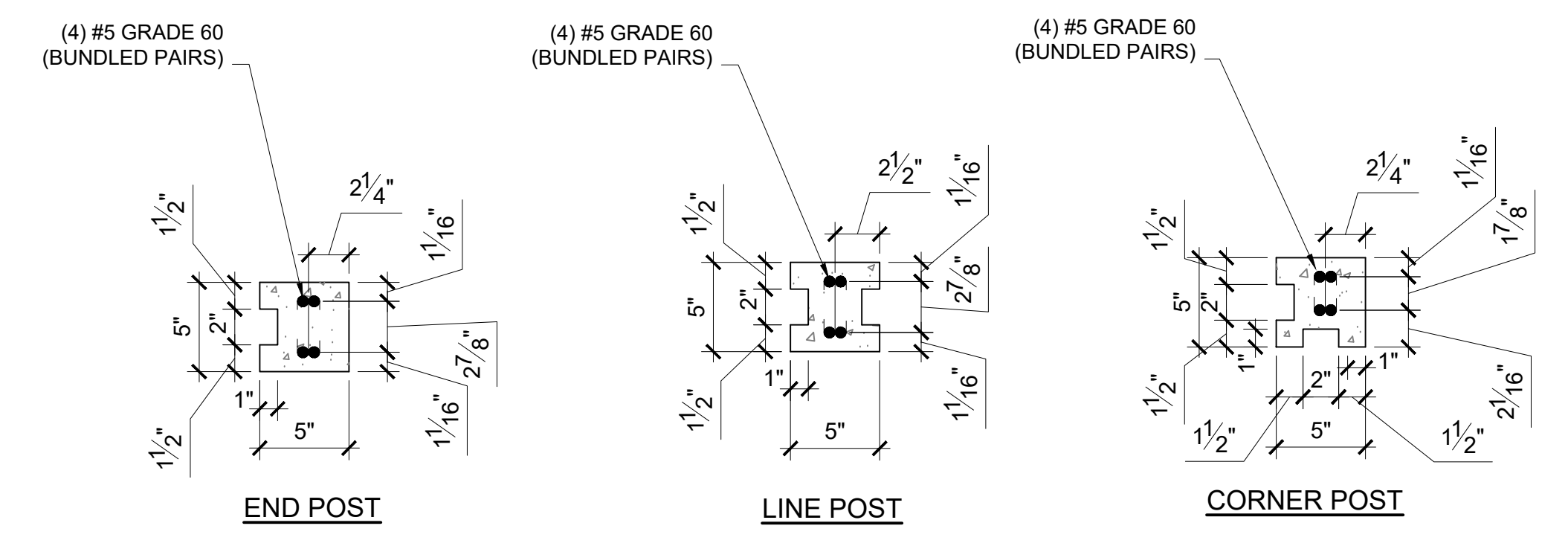


SCHEDULE OF RECOMMENDED FOUNDATION PIER MIN. SIZES

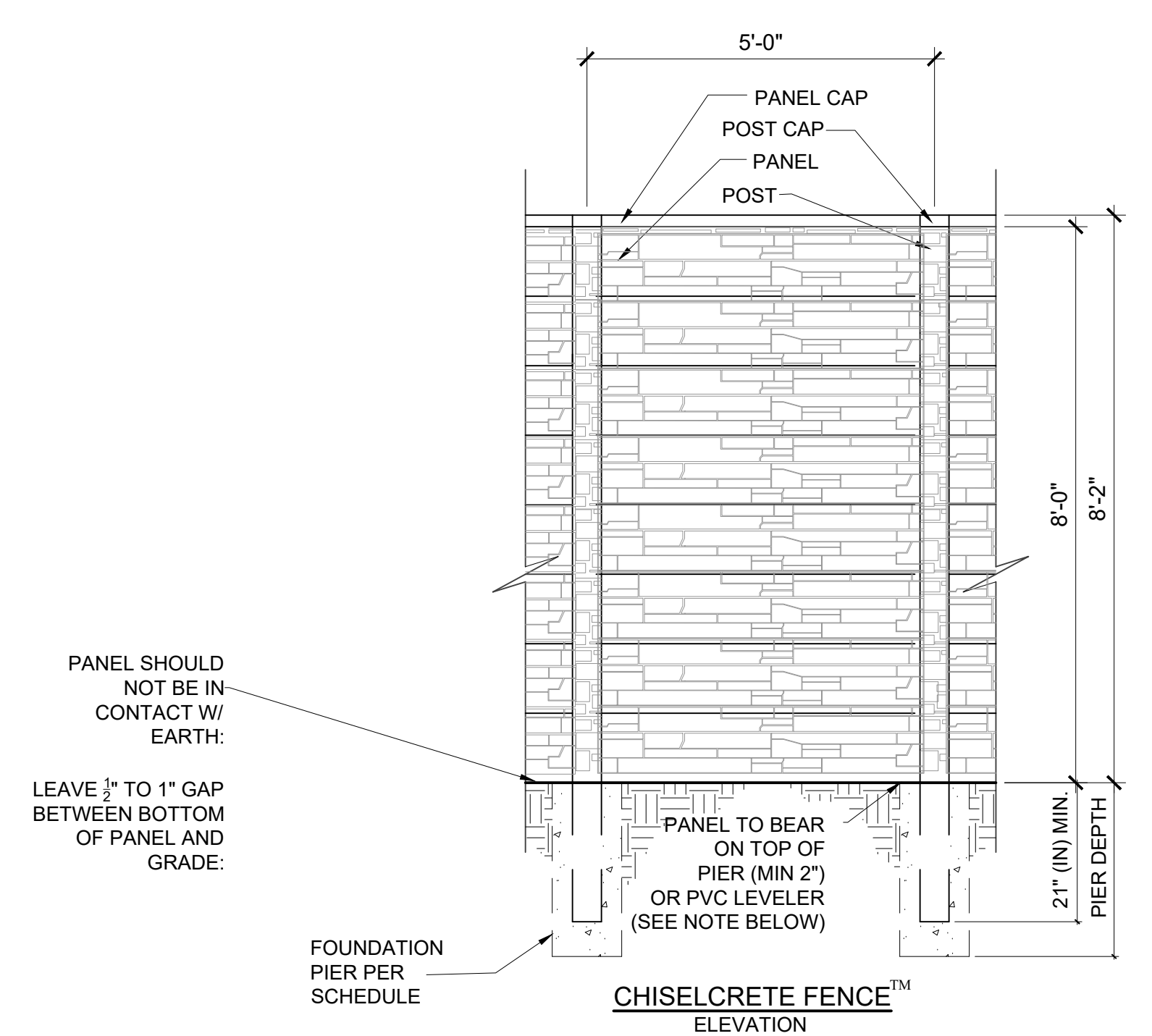
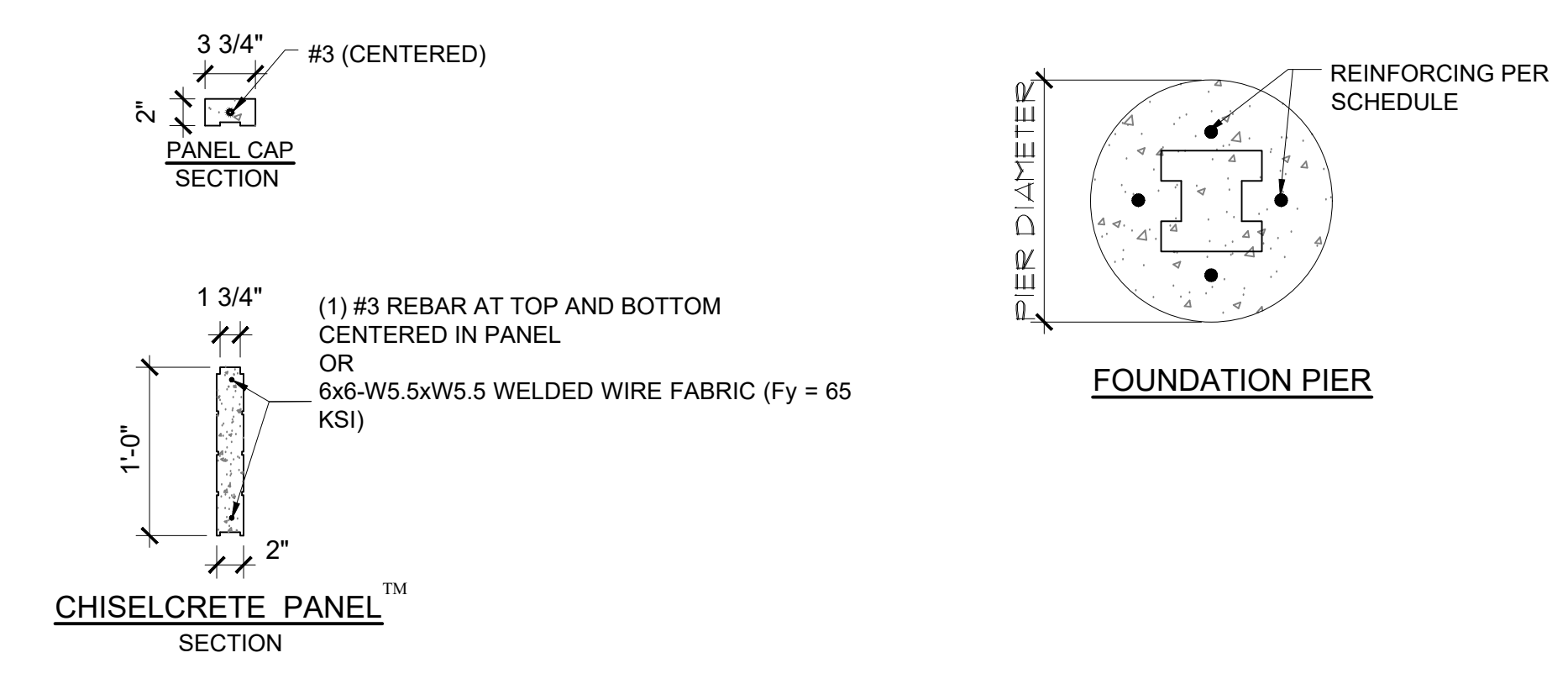
		5"x5" POST, 8'-0" MAX. COLUMN HEIGHT												Unknown Fill / Organics	
		Bedrock			Gravel			Sand			Clay				Poorly-Characterized
		Friction Angle, f = 40o (min)			Friction Angle, f = 35o (min)			Friction Angle, f = 30o (min)			Friction Angle, f = 0o (min)				
		Cohesion, c = 10,000 psf (min)			Cohesion, c = 0 psf (min)			Cohesion, c = 0 psf (min)			Cohesion, c = 1000 psf (min)				
		Bearing = 3000 psf			Bearing = 2000 psf			Bearing = 2000 psf			Bearing = 1500 psf				
		Total Density gt = 130 pcf (min)			Total Density gt = 120 pcf (min)			Total Density gt = 115 pcf (min)			Total Density gt = 110 pcf (min)			REQUIRES SITE SPECIFIC ENGINEERED FOUNDATION	
Exposure	Wind Speed (mph)	Pier Diameter (in)		Pier Steel	Pier Diameter (in)		Pier Steel	Pier Diameter (in)		Pier Steel	Pier Diameter (in)		Pier Steel		
		Pier Depth (ft)	Pier Steel		Pier Depth (ft)	Pier Steel		Pier Depth (ft)	Pier Steel		Pier Depth (ft)	Pier Steel			
B	95	18	3.0	4-#5	18	3.0	4-#5	18	3.0	4-#5	24	3.0	4-#5		
	115	18	3.0	4-#5	18	3.0	4-#5	18	3.5	4-#5	24	3.5	4-#5		
	125	18	3.0	4-#5	18	3.5	4-#5	18	3.5	4-#5	24	4.0	4-#5		
	140	18	3.0	4-#5	18	4.0	4-#5	18	4.0	4-#5	24	4.0	4-#5		
	150	18	3.5	4-#5	18	4.0	4-#5	18	4.5	4-#5	24	4.5	4-#5		
C	165	CONTACT ENGINEER													
	95	18	3.0	4-#5	18	3.5	4-#5	18	3.5	4-#5	24	3.5	4-#5		
	115	18	3.5	4-#5	18	4.0	4-#5	18	4.0	4-#5	24	4.5	4-#5		
	125	18	3.5	4-#5	18	4.5	4-#5	18	4.5	4-#5	24	4.5	4-#5		
	140	CONTACT ENGINEER													
150	CONTACT ENGINEER														
165	CONTACT ENGINEER														



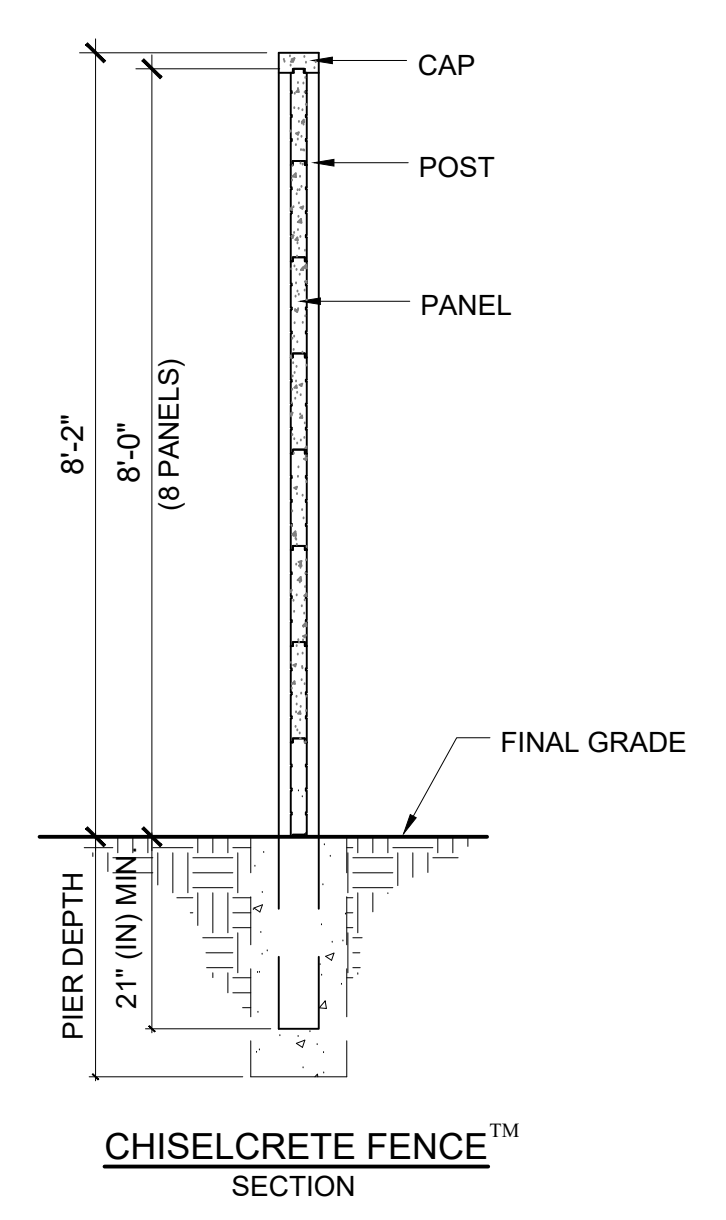
POST REINFORCEMENT FOR WIND SPEED UP TO 95 MPH



POST REINFORCEMENT FOR WIND SPEED GREATER THAN 95 MPH UP TO 165 MPH



NOTE: SMALL DIAMETER PVC PIPE IS COMMONLY CAST IN PIERS TO LEVEL PANELS. IT IS ACCEPTABLE TO BEAR THE CONCRETE PANELS ON THE PVC LEVELERS. PVC LEVELERS MUST BE SCHEDULE 40 W/ A MINIMUM NOMINAL DIAMETER OF 1". THE PVC LEVELERS MAY EXTEND 1/2" MAX ABOVE THE TOP OF THE CONCRETE PIER.

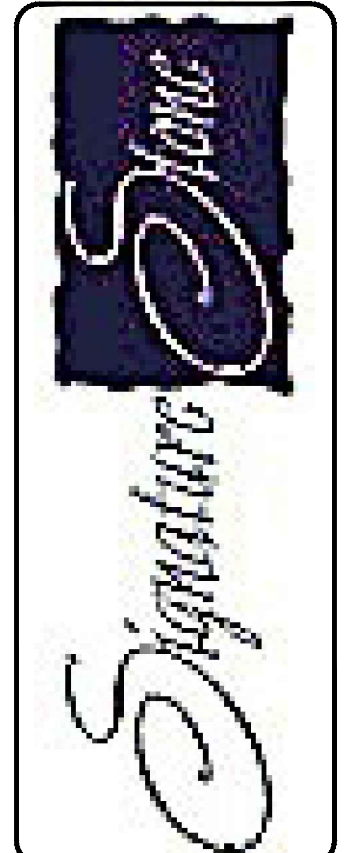


CHISELCRETE PRIVACY FENCE SYSTEM

CTL THOMPSON
INCORPORATED
P.O. Box 8465
Fort Collins, CO 80524
www.ctl.com



THESE DRAWINGS AND ACCOMPANYING SPECIFICATIONS SHALL BE THE PROPERTY OF CTL THOMPSON INCORPORATED. NO PART OF THESE DRAWINGS OR SPECIFICATIONS SHALL BE REPRODUCED, COPIED, OR TRANSMITTED IN ANY FORM OR BY ANY MEANS, ELECTRONIC OR MECHANICAL, INCLUDING PHOTOCOPYING, RECORDING, OR BY ANY INFORMATION STORAGE AND RETRIEVAL SYSTEM, WITHOUT THE WRITTEN PERMISSION OF CTL THOMPSON INCORPORATED. THE USER OF THESE DRAWINGS AND SPECIFICATIONS SHALL BE RESPONSIBLE FOR OBTAINING ALL NECESSARY PERMITS AND APPROVALS FROM THE APPROPRIATE AGENCIES AND AUTHORITIES. CTL THOMPSON INCORPORATED SHALL NOT BE RESPONSIBLE FOR ANY DAMAGE TO PERSONS OR PROPERTY ARISING FROM THE USE OF THESE DRAWINGS AND SPECIFICATIONS. ALL RIGHTS RESERVED.



SIGNATURE STONE 8" PRIVACY FENCE SYSTEM™

REV. DATE	REVISION/ISSUE
1	
2	
3	

CLIENT: SIGNATURE STONE
211 30TH STREET
GREELEY, COLORADO, 80631
contact: ERIC BOEHNER
(970) 351-0270

TDM	S6
DES	
FC07305.000	
11/22/2022	
PER PLAN	