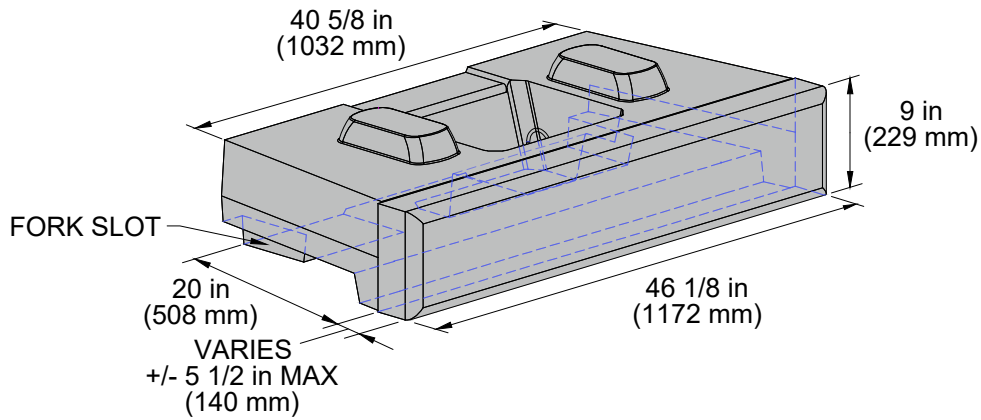
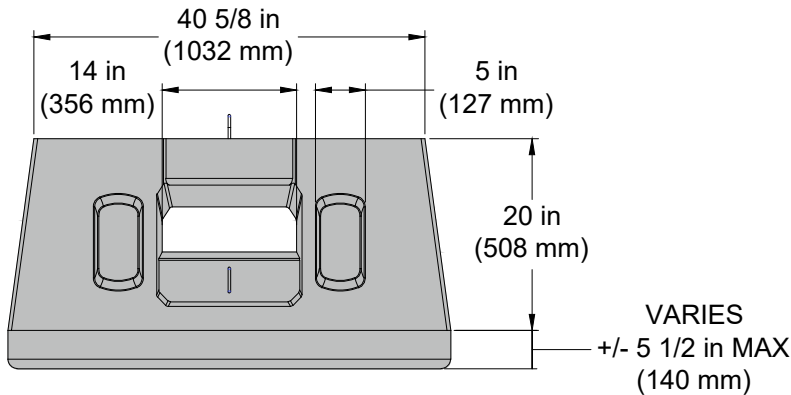


NOVUM WALL RETAINING BLOCK- (NW-R)

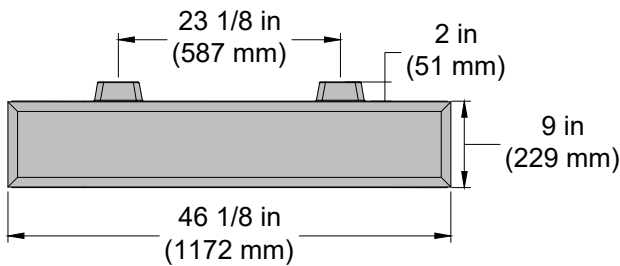
Weight = 610 lb (277 kg) +/- 30 lb (13.6 kg)



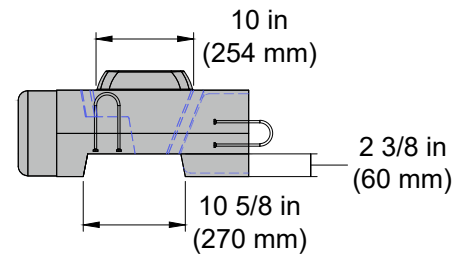
ISOMETRIC VIEW



TOP VIEW



FRONT VIEW



SIDE VIEW

Note:

1. Blocks are produced with multiple face texture options which vary in dimension (+/- 5 1/2 in (140 mm)).
2. Block weight is based on assumed concrete unit weight of 143 lb/ft³ (2290 kg/m³).
3. Block volume and weight depend on the block's face texture, construction tolerance, and concrete mix design. The values shown are averages.
4. This drawing is not to scale. Blocks are increased in size by a factor of 1.5.

DRAWN BY:	LBH
APPROVED BY:	DJC
DATE:	24-JAN-2024
SHEET:	1 of 1

TITLE:	SCHEMATIC RETAINING BLOCK DRAWING
FILE:	Schematic_Retaining_Block_Drawing.dwg

NOVUM WALL™

3890 CHARLEVOIX AVE, PETOSKEY, MI 49720
 (866) 222-8400 ext 33010 • engineering@redi-rock.com • www.redi-rock.com